

# The Propagator



CLUB CALL VK2AMW  
VOLUME 02/07 ISSUED JULY 2007  
NOW PRINTED EVERY THREE MONTHS  
WORTH MORE THAN ELECTRICITY  
MEETINGS HELD SECOND TUESDAY OF EACH MONTH (EXCEPT JANUARY).  
INDUSTRY WORLD VISITORS CENTRE, SPRINGHILL ROAD, CONISISON  
THE PROPAGATOR IS THE OFFICIAL NEWSLETTER OF ILLAWARRA AMATEUR RADIO SOCIETY INC.  
PO BOX 1838 WOLLONGONG 2500.  
WEB PAGE - WWW.IARS.ORG.AU  
E-MAIL - SECRETARY@IARS.ORG.AU  
EDITOR - MAEVA BENNETT VK2HUG

*Club Broadcasts for 2007 – Each Tuesday, except Meeting night, at 7.30 pm with Jack & Geoff*

## EDITORIAL

This issue is going to be a large one – there is lots to report on and as this is the last issue before the 2007 AGM, all the necessary documentation is included as well as a membership renewal document.

At the AGM, I will not be standing or accepting nominations to be the Editor of the Propagator, I have done it now for nearly 3 years and I think it is time for someone else to take over the desk, there will be more about this in the Secretary's report.

I hope you enjoy your magazine and learn something new from your reading.

Maeva Bennett  
VK2HUG  
Editor.

### THE ILLAWARRA AMATEUR RADIO SOCIETY INC EXECUTIVE AND COMMITTEE FOR 2006-07

**President:** Tony Stone VK2TS vk2ts@powerband.net.au Ph 0404 839 465  
**Vice President:** Rob McKnight VK2MT mcknightr@winns.com.au ph: 0408 480630  
**Secretary:** Maeva Bennett VK2HUG vk2aal@comcen.com.au ph: 4297 6065  
**Treasurer:** John Lawer VK2KEJ ph: 4228 9856

#### **Committee.**

Jack De Cesco VK2XGD jack@newtek.com.au  
Frank Diggle VK2FDIG  
Boris Rewak VK2JJJ vk2jjj@tpg.com.au  
Peter Reid VK2HPR vk2hpr@optusnet.com.au  
John Bennett VK2AAL VK2HUG vk2aal@comcen.com.au ph: 4297 6065  
Steve Benko VK2TSB steve@riverscomms.com.au

**Fund Raising Committee.** Peter Reid VK2HPR  
Jack De Cesco VK2XGD

**Propagator Editor.** Maeva Bennett VK2HUG vk2aal@comcen.com.au

**Publicity Officer.** Tony Stone VK2TS

**Membership Secretary.** John Bennett VK2AAL vk2aal@comcen.com.au ph: 4297 6065

**Repeater Committee.** Rob McKnight VK2MT, John Bennett VK2AAL

**Education Officer:** Ted Thrift VK2ARA tthrift@iprimus.com.au, Brian Farrar VK2AH

**Librarian:** Neil Justusson VK2VNJ

**Canteen.** Peter Reid VK2HPR.

**Web Master.** Neil Justusson VK2VNJ

## **We have a new webmaster**

On behalf of all the IARS, I would like to thank Michael Echardt VK4GNY; for his sterling effort as our webmaster, even though he had moved to Rockhampton. Michael has done many things to improve the original website, with many links to useful information, updating the pages constantly and redesigning for its appeal, this is not to mention posting the Propagator each time for our members to read.

Our new webmaster is Neil Justusson VK2VNJ, look out for our redesigned webpage coming soon.

On behalf of all those who have read the website over this time, thank you Michael.

## **For your interest some photos of our IRLP Node 6018 now mounted in a communications rack along with an APC 2200VA UPS.**

This should give us about an hour's backup time if a mains failure is encountered.

The UPS has had the 8 x worn out 6.5A/H Gel cells replaced with 8 x new 9 A/H UPS spec Gel Cells. I intend to relocate the ADSI modem down to the garage and connect to the UPS. Some more improvements with the node are also in the pipe line, I am hoping a Motorola GM300 16 channel node radio will arrive from Western Australia soon. The GM300 is particularly suitable for connecting to an IRLP Node due to all connections being conveniently available on the rear accessory connector thus negating the need to modify a radio for the job.

This change will allow us to have multiple channels programmed into the node radio. In the event of a catastrophic failure of 6850 such as a lightning strike or extended power loss we can then temporarily shift the node onto 6975, 6675 or a simplex channel. It is always good to have a contingency plan in case of an emergency. This radio will also allow a higher power output and the capability of higher duty cycle operation.

I would also like to develop, or see if the fellow who wrote the severe storm warning script for the node is interested in developing an automated script to provide Tsunami warnings on the node. The federal government is currently deploying deep ocean pressure sensors and deep water buoys to detect and warn us of potentially destructive waves heading our way. They have just deployed one North of Macquarie Island which is located south of Australia and on the edge of an active tectonic plate. Macquarie Island received a huge quake a day before the Boxing Day Indian Ocean Tsunami as it is at the other end of the plates that ruptured on Boxing day but fortunately the southern states of Australia did not receive a destructive wave. The Bureau of Meteorology produces Tsunami warnings just as they do now with the severe weather warnings. The scripts simply look at the website for a warning and then this triggers the Node into action. I will let you know what transpires on this front.

Cheers  
Tony Stone  
VK2TS



[www.vk3ajj.com](http://www.vk3ajj.com)

This website is owned and operated by hobby radio enthusiasts with a view to providing an online forum for the purchase and trading of hobby radio communications equipment.

Radio Exchange has been operating since 2003 and is now an integral part of the Australasian Amateur Radio Community.

You will now find over 500 radio related products listed here including leading brands such as Kenwood, Icom, Yaesu, SGC, LDG, MFJ, Cubex, Tennadyne and others.

Radio Exchange does not have a physical shopfront (this site is our store) and thus 90% of our business is done via mail order. This site is also the gateway to the Radio Exchange User Classifieds page where subscribers can buy and sell their own used radio gear.

Radio Exchange also distributes a regular newsletter to subscribers which features newly listed products and web page enhancements.

Radio Exchange welcomes trade-ins (swaps) on radio gear (10 years old or less).

All transactions here involve equipment from our private collections and all gear is second hand (albeit much is unused and unopened). We sell to other private hobby radio enthusiasts only and do not sell gear for commercial purposes.

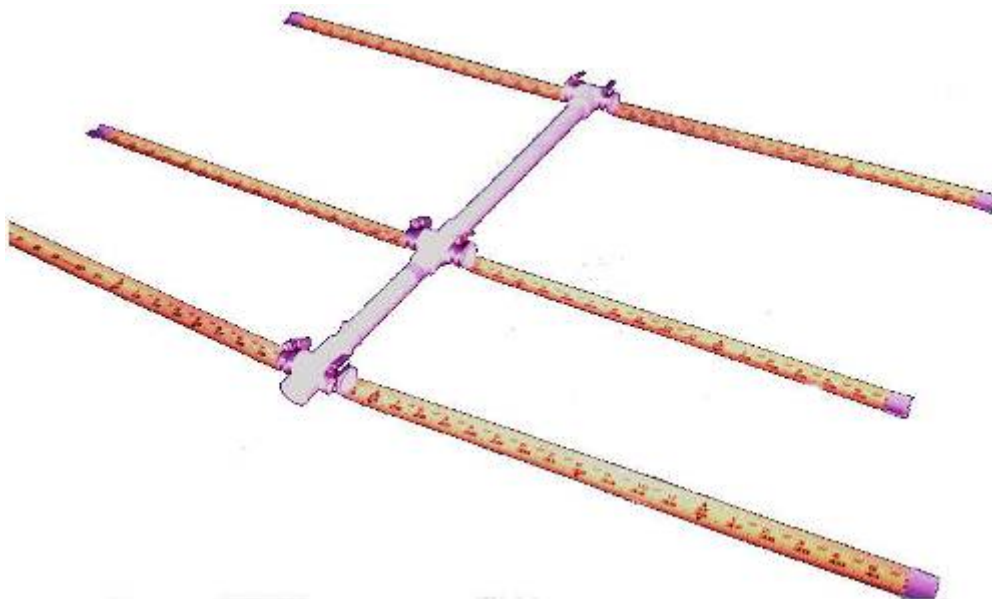
The sustained health of the Australasian Amateur Radio Community is our primary objective!!!

# TAPE MEASURE BEAM OPTIMIZED FOR RADIO DIRECTION FINDING

Joe Leggio WB2HOL

## Description

This antenna evolved during my search for a beam with a really great front-to-back ratio to use in hidden transmitter hunts. This design exhibits a very clean pattern and is perfect for RDF use. It trades a bit of forward gain in exchange for a very deep notch in the pattern toward the rear. (You



could optimize the design for more forward gain, but at the expense of a really good notch in the pattern toward the rear.) It is a design that can be constructed using only simple hand tools (no machine shop needed) and still perform well. It has been duplicated several dozen times by other local hams and has been successfully used as a club construction project.

When I designed this antenna I had one basic idea in mind. It had to be easy to get in and out of the car when hunting for a hidden transmitter. This would be accomplished by the use of steel "tape measure" elements. These elements could fold easily when fitting the antenna into my car and yet still be self supporting. I decided to use three elements to keep the boom from getting too long.

Another of my design goals was to use materials that were easy to obtain. I chose to use Schedule-40 PVC pipe and fittings available at my local hardware store for the boom and element supports. These kept the cost for the antenna very low. The element supports consist of PVC crosses and tees.

Since I had never seen any plans for an antenna using elements made from 1 inch wide steel "tape measure," I had to do the design myself. To assist in the design I used a shareware computer aided yagi design program written by Paul McMahon VK3DIP. It allowed me to optimize the antenna for the cleanest pattern combined with the best front-to-back ratio.

Performance Predicted by YAGI-CAD	
GAIN	7.3 dBd
Front-to-Back Ratio	>50 db
3 db Beamwidth	E = 67.5 degrees
3 db Beamwidth	H = 110 degrees

When I first built this beam I found it needed a matching network of some kind to have a low SWR. My first attempt was a Gamma match. This was unwieldy. The driven element could barely handle the weight and the Gamma match itself was not very flexible. The best matching network turned out to be a "hairpin match." This is simply a 5 inch length of wire that is connected across the feed points of the driven element. The antenna has some capacitive reactance without the matching network. The 5 inch length of wire has just enough inductance to cancel the capacitive reactance. This resulted in a better match than anything else I had tried.

The wire I used for the hairpin match was enamel insulated 18 gauge solid. Other hams who have duplicated this beam have used just about anything they had on hand. 14 gauge house wire works well, so does a length of 22 gauge hookup wire. It does not seem to matter if it is stranded or solid, use whatever you have available. This results in a very good match across the two meter band once you have adjusted the distance between the halves of the driven element for minimum SWR. (1 inch apart on my prototype).

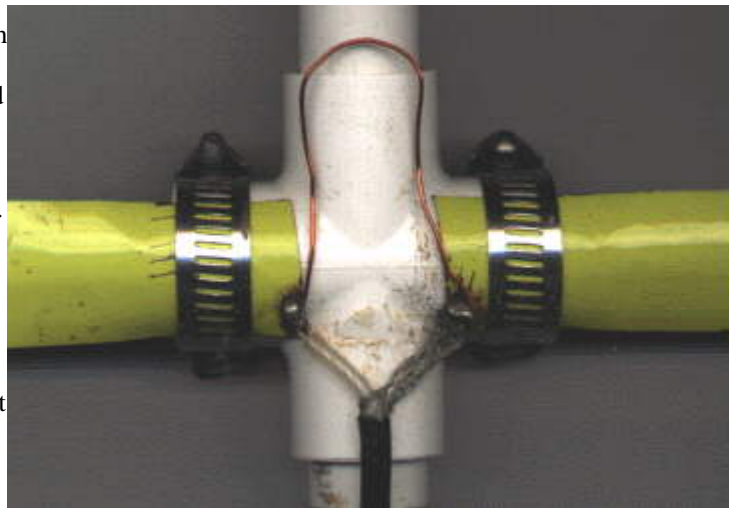
I used a pair of shears to cut the tape measure elements to length. An old pair of scissors will probably do as well. No matter how you cut the elements be very careful. Those edges are very sharp and will inflict a nasty cut if you are careless. Use some sandpaper to remove the really sharp edges and burrs resulting from cutting the elements to size. I put some vinyl electrical tape on the ends of the elements to protect myself from getting cut. I encourage you to do the same. It will probably be best if you round the corners of the elements once you cut them. Wear safety glasses while cutting the elements. Those bits of tape measure can be hazardous.

The RG58 coax feedline is connected directly to the driven element. No matter what method you use to attach the feedline, make sure you scrape or sand the paint off the tape measure element where the feedline is attached. Most tape measures have a very durable paint finish designed to stand up to heavy use. You do not want the paint to insulate your feedline connection.

If you are careful, It is possible to solder the feedline to the element halves. Care must be taken since the steel tape measure does not solder easily and since the PVC supports are easily melted. You might want to tin the tape measure elements before mounting them to the PVC cross.

If you decide not to solder to the tape measure elements, there are two other methods that have been used to attach the feedline. One method employs ring terminals on the end of the feedline. The ring terminals are then secured under self tapping screws which hold the driven element halves. This method does not allow you to tune the antenna by moving the halves of the driven element. 6-32 bolts and nuts could be used if holes are drilled in the elements near the ends. If the bolt heads are placed nearest the PVC fitting, you could secure ring-terminals with nuts and lock washers. Another possibility is to simply slide the ends of the feedline under the driven element hose clamps and tighten the clamps to hold the ends of the coax. I know this is low-tech, but it works just fine.

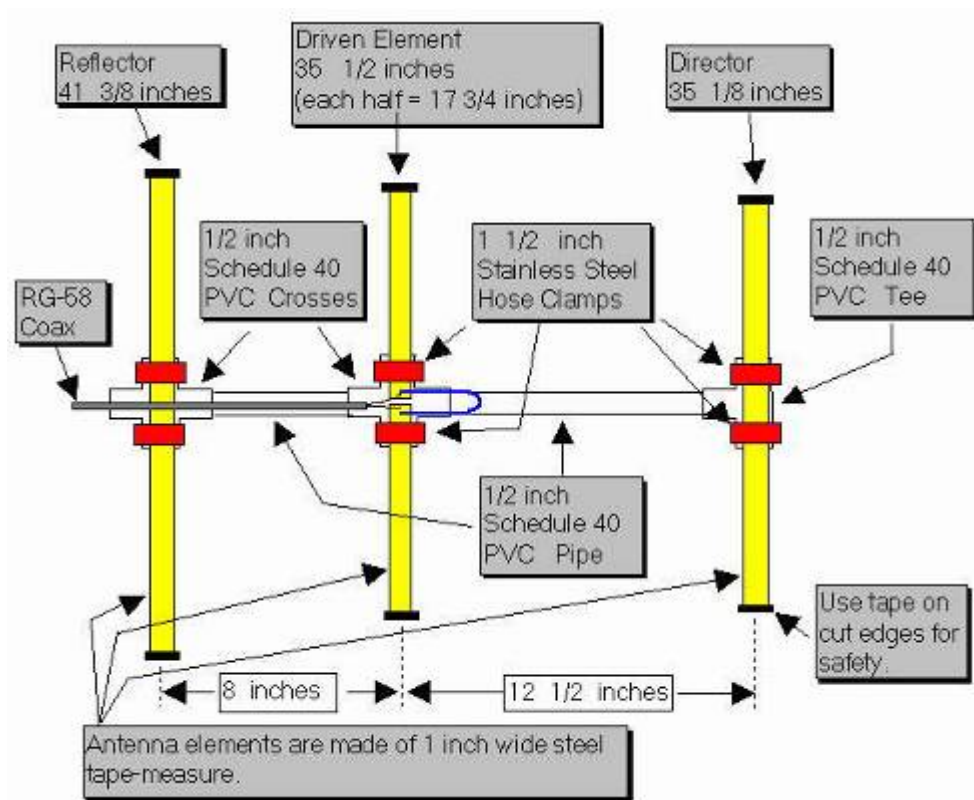
Stainless steel hose clamps are used to attach the driven element halves to the PVC cross which acts as its support. This has the added benefit of allowing you to fine tune your antenna for lowest SWR simply by loosening the hose clamps and sliding the halves of the driven element either closer or further apart. By using the dimensions specified, I found that the SWR was 1:1 at 146.565 Mhz (our Fox-Hunt frequency) when the two elements were spaced approximately 1 inch apart. Figure 1 shows the method used to attach the driven element to the PVC cross.



I used 1 1/2 inch hose clamps to attach all the elements on my prototype beam. Others who have duplicated my design have used self tapping screws to attach the elements to the PVC crosses and tees. Performance is the same using either method. The screws are much less expensive but they do not hold the elements as securely. If you do not use 1/2 inch PVC fittings but instead use 3/4 inch, make sure the hose clamps you buy are large enough to fit.

If you wish a slightly neater looking beam, use the self tapping screws. If you do not mind spending a few more dollars for the hose clamps, use them instead. If I were to build another beam I would use screws for the director and reflector, and hose clamps for the driven element. That would give me the best of both methods.

Rubber faucet washers have been used by some builders between the tape measure element and the PVC fittings on the director and reflector. These allow for the tape to fit the contour of the PVC fitting and will make the antenna look better. Now you know what to do with those washers left over from the assortment you once purchased; You know the ones I mean, the washers that do not fit the faucets you have in your house. If you are an apartment dweller, ask around, these things are stashed in almost every homeowners basement or garage.



### **Construction:**

Cut a length of tape measure to 41 3/8 inches. It will be the Reflector element. Cut two lengths of tape measure to 17 3/4 inches. These will be used for the Driven element. Cut one length of tape measure to 35 1/8 inches. It will be used for the Director. Once you have cut the tape measure to length, put vinyl tape on the cut ends to protect yourself from the sharp edges. You will want to scrape or sand off the paint from one end of each of the driven element halves so you can make a good electrical connection to the feedline.

If you are planning to solder the feedline to the driven elements it is best to tin the elements first before attaching them to the PVC cross. If you don't, the PVC will melt as you apply heat to the element. It would be a good idea to also take the time to form the wire used for the hairpin match into a "U" shape with the two legs of the "U" about 3/4 inch apart. Tin the ends of the hairpin if you plan on soldering it to the driven element. If you tin 1/4 inch of each end of the hairpin it will leave 4 1/2 inches to shape into the "U".

You will need to cut two lengths of PVC pipe to use as the boom. One should be cut to 11 1/2 inches. It is used to form the boom between the Director and the driven element. The other piece of PVC should be cut to 7 inches. It will be used between the Reflector and the Driven element. Just about any saw will cut through the soft PVC pipe. I used a hacksaw. When we mass produced this antenna as a club project, we marked the pipe and used a portable jig saw to cut the lengths in assembly line fashion. It took longer to measure the pipe than to actually make the cuts. Since the pipe is available in ten foot lengths, you can make a few beams from a single 10 foot length. In any case, you might want to cut a few extras lengths for your friends. They will want to duplicate this once they see your completed antenna.

At this time you can pre-assemble the PVC boom, crosses and tee which will support the tape measure elements. I did not use any cement or glue when I assembled mine. The PVC pipe is secured in the fittings with a friction fit.

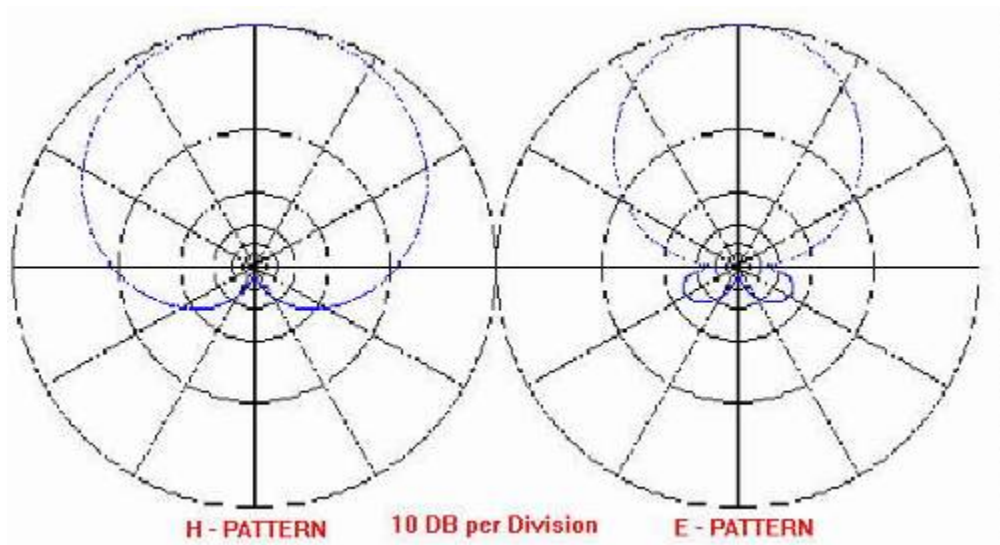
The hose clamps I used are stainless steel and have a worm-drive screw which is used to tighten them. They are about 1/2 inch wide and are adjustable from 11/16 inch to 1 1/2 inch diameter. Attach the tape measure elements to the PVC fittings as shown in the accompanying drawing. It is normal for the Reflector and Director elements to buckle a bit as it is tightened to the PVC Tee and Cross. You can eliminate this buckle if you use the washers and self tapping screws to attach these elements instead of the hose clamps. I do not think the beam will withstand as rough a treatment as when hose clamps are used.

### **How does it perform?**

Once you have completed your beam you probably will be interested to see if it performs as well as the computer predicted. The SWR should be less than 2:1 across the entire two meter band. The front-to-back ratio is predicted to be very good with the antenna exhibiting a very deep notch in its pattern towards the rear. The [YagiCad 4.1](#) program produced these antenna pattern graphs showing the pattern you should expect. If you

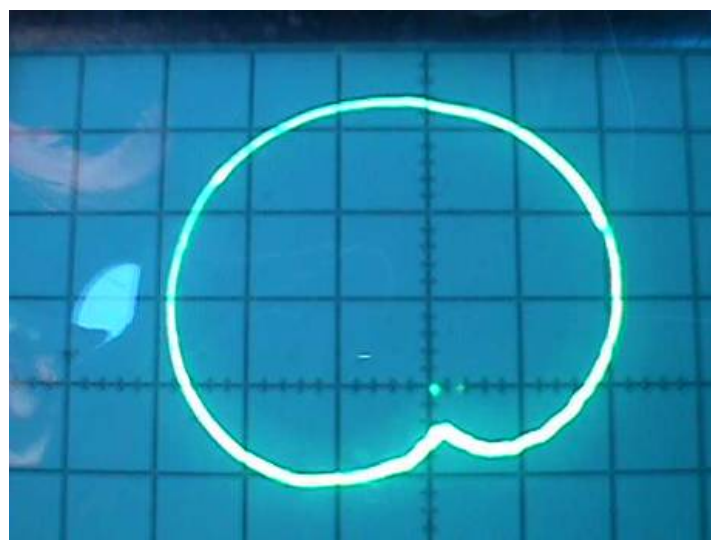
would like to experiment a bit with this program, the yagi specification file for this tape measure beam is available for download [here](#). Simply download the YAGI-CAD program and put the tape measure beam design file in the same directory. You will then be able to experiment with the design.

Note: under Windows95, only the first .yag file will show in the OPEN-FILE menu. You can either move all the other .yag files to a sub-directory or re-start the computer in MS-DOS mode. It works fine there. (I really do not know why this occurs but will blame Microsoft)



### **How does the tape measure beam "measure up?"**

WB4SUV and WA6EZV used a storage scope connected to a copy of this antenna constructed by KC8FQY and provided the following picture of the actual antenna pattern. I am very happy to see that the computer prediction of a clean pattern with a really great front-to-back ratio was accurate. What do you think?



### **Summary**

This beam has been used on Fox-Hunts, on mountain tops, at local public service events, outdoors, indoors in attics, just about everywhere. The SWR is typically very close to 1:1 once adjusted. Front to back performance is exactly as predicted. The null in the rear of the pattern is perfect for transmitter hunts. When tested using a sensitive field strength meter and a low powered fox transmitter, full scale readings were seen from a distance of ten feet. With the same field strength meter I was able to point the antenna away from the transmitter and move the reflector element to within a few inches of the transmitter antenna and still not see a reading. I don't have the facilities to verify a 50 db notch as predicted by the Yagi-Cad software but It sure seems close. The flexible elements have taken a lot of abuse. My antenna has seen a lot of use and has held up quite well. Best of all, when on a fox-hunt, this beam is a breeze to get in or out of the car.

*“Seems to work just fine -- the hardest thing was finding the PVC crosses, and dealing with the blood from the cuts caused by the sharp ends of the steel tape! “*

Thanks to Neil VK2VNJ – hope you didn't get too hurt

## Exam testing for Foundation Licenses.

On Saturday 21st April, A Foundation Exam and assessment was held on behalf of the Mid South Coast ARC.

There were 5 candidates sitting for their exams and assessments. Four Hopeful's were present at the 9:30 am, the start time. It was known that one hopeful could not arrive until at least 2pm because of work commitments.

The Assessors were Stan VK2EL & Steve VK2SJA, from the MSCARC.

The Invigilators were Ted VK2ARA & Brian VK2AH, from the IARS

The Venue was provided by Tony VK2TS. Tony was also kind enough to provide his BBQ and meat was supplied by Brian VK2AH, some VERY nice South African Sausage. Steve provided some nice looking steaks. Tony provided the Spanish sausage his wife her world famous potato salad, and Tony turned out to be not a bad cook.! Nothing caught fire.

Brian VK2AH was the official photographer. He hopes the photos turn out ok so all members can see what efforts are put into these exams, to get other hams and hopeful members to the IARS.

Looking forward to seeing all these Hams at a club meeting soon or on air.

Brian Farrar VK2AH.



Making out who's who.



Checking each person's paperwork.



### The Afternoon Session at Tony's Place April 21st 2007.



Ted turning off the radios that will be used for the on air assessment. The Exam is in FULL swing now.



One Candidate taking his on air assessment. Note the DX aerial used. It's on the paper folder!



Another On air test under way.



Shane asking himself.-"Now where does this bit go???"



Group leader and assessor doing oral  
Questioning of a candidate.



Shane Bunting, Bob Bunting, Simon Day and  
Michael Jeffery all new hams with BIG smiles

Looking forward to seeing all these Ham at a club meeting soon or on air. Brian Farrar VK2AH.

# NEWTEK ELECTRONICS

Phone and Fax 4227 1620

RESELLER FOR

Altronics Arista Jaycar Avico

Stockists of: Alarm Accessories, UHF Antennae,  
Tools, Computer Accessories, Test Equipment,  
Cables, Plugs, RF Sprays and Components for the  
Professional and the Amateur

Call in and see Jack at 345 Keira St., Wollongong

Special thanks must go to Jack and Newtek for supplying the Monthly Meeting Raffles. His choice of prizes is amazing as well as practical for all. He supplies a First and Second prize, that are well worth winning. Don't forget to buy some at the next Meeting.

**By supporting Jack and Newtek for all your radio and hobby supplies, you are helping yourself to a good price and quality merchandise and at the same time supporting someone who supports your Club.**



# AHARS Antenna Project J-146/440

This antenna provides a dual band 2m & 70cm antenna for base station use and possible mobile or portable applications. The design is based on an article that appeared many years ago (1987) in CQ magazine, and a version of it is produced in the USA by Arrow Antennas, which is unavailable in Australia. AHARS does not claim any originality to this design.

It has a low VSWR <1.5:1 over wide bandwidth on both bands (see graphs below), and is the ideal solution for those dual band transceivers that now dominate the market. It has a single feed point via a SO259 connector or an 'N' type. ('N' is a better connector for 70cm use and has better waterproof qualities).

The antenna is a dual 'J Pole' design, having a common driven element for both antennas and two grounded resonator rods, the antenna does not require a ground plane for its operation, but mounting the antenna on a well grounded metal pole or tower is recommended for lightning protection.

The principle of a 'J' pole is well understood, basically the lower 'U' section being the matching section of a  $\frac{1}{4}$  wave stub end feeding a half wave length antenna element. The antenna exhibits better gain than a  $\frac{1}{4}$  wave ground plane and about the same gain as a  $\frac{1}{2}$  wave dipole on both bands, with the main vertical plane radiation being at right angles or  $0^\circ$  to the horizon and the horizontal plane being omnidirectional.

In this antenna the feed point is at the current point of the  $\frac{1}{4}$  wave stub thereby providing a lower impedance that can be easily matched to the coax feeder. For best performance on both bands, it is recommended that RG-8 or RG-213 coax be used, particularly feeder if the run is at all long.

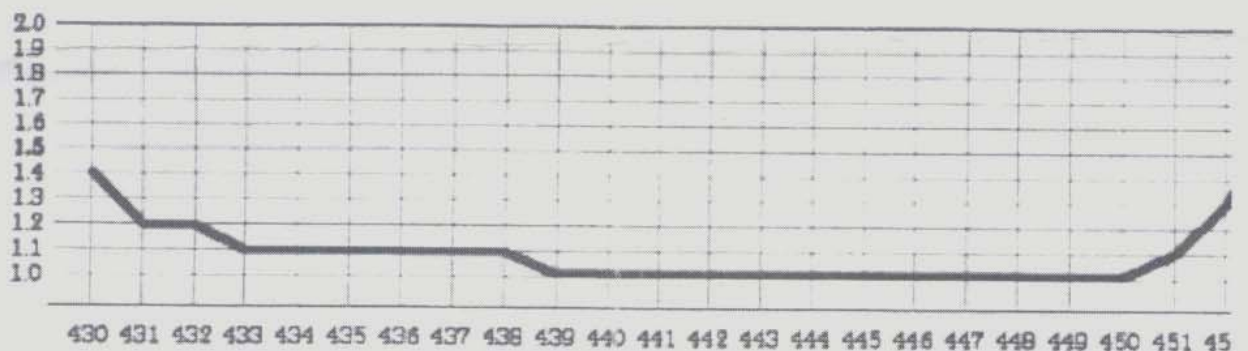
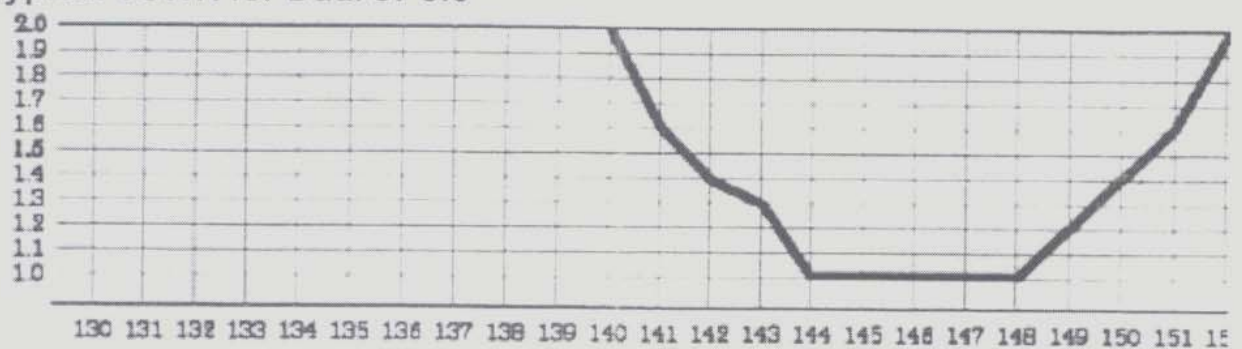
The construction of the antenna is from 6060 grade aluminium, which weathers well, the insulator being turned from 'Delrin' and the clamp being plated to resist corrosion. The elements are secured by 304 grade stainless steel nuts and bolts, this allows minor adjustment of elements to 'fiddle' with VSWR and bandwidth center if required or desired.

The author can vouch for the performance of this antenna, it being compared to a commercial 2m J Pole and other various ground plane antennas on both frequencies, in all cases the performance being excellent, and is now the main omnidirectional antenna in use.

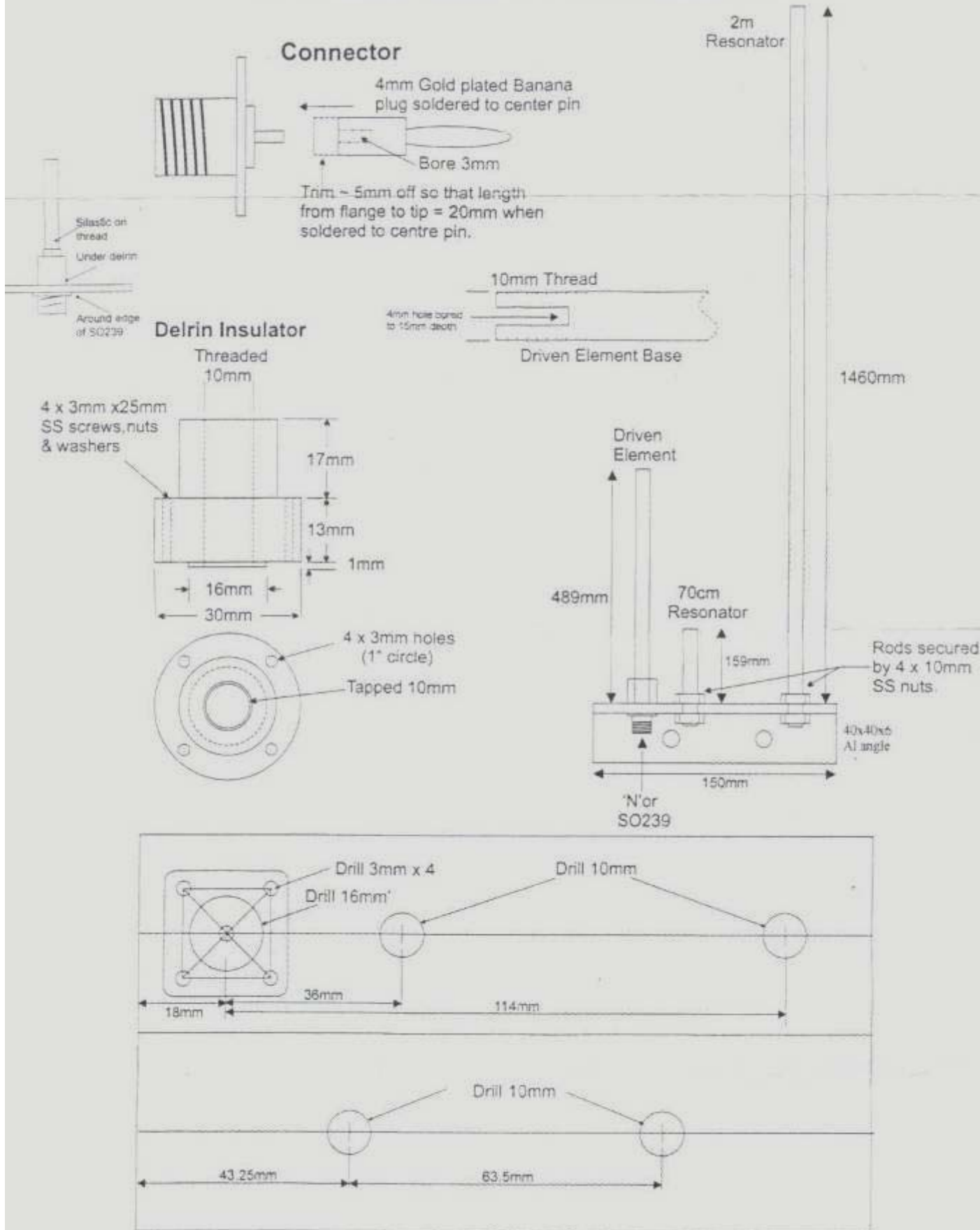
Details of dimensions for the various components are on the reverse side of this sheet, all materials are easily obtainable from local suppliers.

VK5ZBQ, VK5PH for the Adelaide Hills Amateur Radio Society September 2005.

### Typical VSWR for Dual JPole



# Dimensions for dual 'Jpole' antenna



## What do retired people do all day? Billy Connolly on Retirement

Working people frequently ask retired people what they do to make their days interesting. Well for example, the other day I went into town and went into a shop.

I was only in there for about 5 minutes, when I came out there was a cop writing out a parking ticket. I went up to him and said, "Come on man, how about giving a senior citizen a f\*\*\*\*\* break?" He ignored me and continued writing the ticket. I called him a Nazi turd. He glared at me and started writing another ticket for having worn tyres. So I called him a s---head. He finished the second ticket and put it on the windshield with the first. Then he started writing a third ticket.

This went on for about 20 minutes. The more I abused him, the more tickets he wrote. Personally, I didn't care. I came into town by bus. I try to have a little fun each day now that I'm retired..... It's important at my age.....

### Our Monthly Meeting Speakers.

**Building a Trap Antenna** given by Paul Ferguson VK2FE was the subject of our March 2007 talk. Paul gave a hands on workshop, where interested members could actually build a trap with supplies being available to make your own under his careful eye and then tested to see if it worked.

Rob McKnight, VK2MT, gave an interesting talk on **Sunspots and talking in Space** at the April Meeting.

In May, Max Riley VK2ARZ presented a very well presented and knowledgeable talk on **Interference – Causes and Cures**. I am sure it was appreciated especially by the new Foundation Licence Holders.

**The New Licencing System** with the ACMA, courses and testing was given by Ted Thrift VK2ARA in June. It was very interesting to hear about the examination competency methods used and the syllabus knowledge required to gain a licence. It is definitely a lot more difficult than some think it is for the candidates.

Julys presentation will be given by John Bennett VK2aal, on **Testing Equipment**, when and how to use it, and how to check the calibration of these instruments for accuracy.

To all our Guest Speakers, a grateful thank you from your fellow members. It's nice to know that however long you have held an Amateur Licence, there is always more to learn and that help is always available through our very knowledgeable member base.

### The A-Z of Medine

**A's** for arthritis;

**B's** the bad back,

**C's** the chest pains, perhaps car-d-iac?

**D** is for dental decay and decline,

**E** is for eyesight, can't read that top line!

**F** is for fissures and fluid retention,

**G** is for gas which I'd rather not mention.

**H** is high blood pressure--I'd rather it be low;

**I** is for incisions with scars you can show.

**J** is for joints, out of socket, won't mend,

**K** is for knees that crack when they bend.

**L** is for libido, what happened to sex?

**M** is for memory, I forget what comes next.

**N** is neuralgia, in nerves way down low;

**O** is for osteo, the bones that don't grow!

**P** is for prescriptions, I have quite a few,

just give me a pill and I'll be good as new!

**Q** is for queasy, is it fatal or flu?

**R** is for reflux, one meal turns to two.

**S** is for sleepless nights, counting my fears,

**T** is for Tinnitus; there's bells in my ears!

**U** is for urinary; big troubles with flow;

**V** is for vertigo, that's "dizzy," you know.

**W** is for worry, NOW what's going 'round?

**X** for X ray, and what might be found.

**Y** is another year I'm left here behind,

**Z** is for zest that I still have--in my mind.

I've survived all the symptoms, my body's  
deployed, And I am keeping twenty-six doctors  
fully employed!!!

*It's that time of year again!!!!!!!!!!!!!!!!!!!!*

**Membership Subscriptions for 2007-2008 are now due.**

To be a financial member of the IARS and help keep our repeaters on the air please pay as soon as possible. Members who have not renewed by 31 August, 2007 will be deemed to be unfinancial and loose all membership priviledges.



**ILLAWARRA AMATEUR RADIO SOCIETY (INC)**

PO BOX 1838 WOLLONGONG NSW 2500

[WWW.IARS.ORG.AU](http://WWW.IARS.ORG.AU)

EMAIL SECRETARY@IARS.ORG.AU

**APPLICATION FOR MEMBERSHIP/RENEWAL OF MEMBERSHIP**

Please fill in the relevant information as required by the IARS for its records and information. It is the member's responsibility to notify the Membership Secretary of any changes of circumstance that may occur.

NAME .....

CALL SIGN .....YEARS LICENCE HELD.....

ADDRESS .....  
.....Post Code.....

CONTACT PHONE NUMBER .....

EMAIL Address for receiving Propagator and other Club Notices.....

Are you a **financial** member of any another Amateur Radio Club? If so, please indicate from the list below:

- Wireless Institute of Australia
- Amateur Radio New South Wales
- Name of other Radio Club .....

I hereby apply to become a (Concession/Ordinary) member /renew my membership of the Illawarra Amateur Radio Society Inc. I have read the Constitution of the IARS and agree to be bound by the rules of the Society being in force at the time.

SIGNATURE OF APPLICANT .....

DATE .....

Your membership payment, if by cheque to be made out to the "Illawarra Amateur Radio Club Inc", and must accompany this form. No renewals or membership applications will be accepted without this competed form attached.

<b>Membership Fees as at 01/06/07</b>	\$25.00 for Ordinary Membership
	\$20.00 for Concession Membership

.....

**New Members must be proposed and seconded by 2 financial IARS Members.**

Proposed by .....CALL SIGN.....

Seconded by .....CALLSIGN.....

**Notice of Annual General Meeting for the Illawarra Amateur Radio Society for 2006-2007**  
**And the election of Office Bearers for 2007-2008**

*The Annual General Meeting for the IARS will take place on Tuesday 15<sup>th</sup> August 2007 after the August Monthly Meeting at Industry World, Bluescope Steel, Springhill Road, Conniston.*

*At the AGM reports from the Executive Committee will be tabled, including a full Financial Report from the Treasurer.*

*All current Club Bearers will stand down and an election held for Office Bearers for 2007-2008 will be held.*

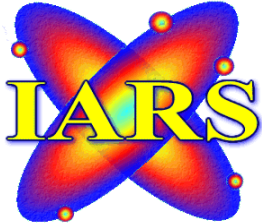
*If you wish to stand as an Office Bearer or nominate another, please fill in the form below and send it to the Secretary. Remember, all Office Bearers must be financial members of the Club and if not the person nominated is not yourself, please get their consent.*

ILLAWARRA AMATEUR RADIO SOCIETY (INC)

PO BOX 1838 WOLLONGONG NSW 2500

[WWW.IARS.ORG.AU](http://WWW.IARS.ORG.AU)

EMAIL [IARS@IARS.ORG.AU](mailto:IARS@IARS.ORG.AU)



**NOMINATION FORM.**

I.....

Of.....

CALL SIGN.....

Being a member of the above Association. Hereby nominate for the position described below.  
 In the event of my election, as a member of the executive, I agree to be bound by the rules of the Association.

.....  
**Nominated Position.**

.....  
 Signature Of Nominee.

.....  
 Call Sign.

.....  
 Date.

I.....

Being a member of the above Associated, second the application.

.....  
 Signature of Secunder.

.....  
 Call Sign.

.....  
 Date.

**NOMINATION FORMS MUST REACH THE SECRETARY NO LATER THAN  
 AUGUST 3<sup>RD</sup> 2004. NO NOMINATIONS FOR THE POSITIONS TICKED NO A.G.M.**

I accept the above position.

.....

President.	Call backs.	Publicity Officer	Club Historian
Vice President.	Education Officer	Fundraising Committee	Catering
Secretary.	Club News.	Librarian	
Treasurer.	Editor.	Web Master.	

## The famous Funnies

A lawyer and a blonde woman are sitting next to each other on a long flight. The lawyer asks if she would like to play a fun game. The blonde is tired and just wants to take a nap, so she politely declines and tries to catch a few winks.

The lawyer persists, saying that the game is a lot of fun. "I ask you a question, and if you don't know the answer, you pay me only \$5; you ask me one, and if I don't know the answer, I will pay you \$500."

This catches the blonde's attention; and, to keep him quiet, she agrees to play the game. The lawyer asks the first question. "What's the distance from the earth to the moon?" The blonde doesn't say a word, reaches in to her purse, pulls out a five-dollar bill, and hands it to the lawyer.

Now, it's the blonde's turn. She asks the lawyer, "What goes up a hill with three legs, and comes down with four?"

The lawyer uses his laptop, searches all references. He uses the Air phone; he searches the Net and even the Library of Congress. He sends e-mails to all the smart friends he knows, all to no avail.

After one hour of searching he finally gives up. He wakes up the blonde and hands her \$500. The blonde takes the \$500 and goes back sleep.

The lawyer is going nuts not knowing the answer. He wakes her up and asks, "Well, so what goes up a hill with three legs and comes down with four?"

The blonde reaches into her purse, hands the lawyer \$5 and goes back to sleep.

An Italian, a Scotsman, and a Chinese fellow are hired at a construction site.

The foreman points to a huge pile of sand and says to the Italian guy, "You're in charge of sweeping." To the Scotsman, he says, "You're in charge of shoveling." And to the Chinese guy, "You're in charge of supplies."

The foreman then shrugs his beefy shoulders and says, "Now, I have to leave for a little while. I expect you guys to make a good dent in that pile of sand by the time I get back."

A few hours later when the foreman returns, he sees that the pile of sand is still untouched.

Pointing to the pile of sand, the foreman says to the Italian, "Why didn't you sweep any of it?"

The Italian replies in a heavy accent, "I no gotta broom. You tella the Chinesea guy he inna charge of a supplies, but hea disappeara, and I coulda no finda him!"

Then the foreman turns to the Scotsman and asks, "Didn't I tell you to shovel that sand?"

The Scotsman replies in his heavy brogue, "Aye, ye did, laddie, but I couldna get meself a shovel. Ye left the Chinee in charge of supplies, but I couldna find him!"

The foreman is really angry now and storms off toward the pile of sand, looking for the Chinese guy.

Just then, the Chinese guy springs out from behind the pile of sand and yells, "SUPPLIES!"

### Sign of the times?

A little boy goes to his father and asks "Daddy, how was I born?"

The father answers: "Well son, I guess one day you will need to find out anyway! Your Mum and I first got together in a chat room on Yahoo. Then I set up a date via e-mail with your Mom and we met at a cyber-cafe. We sneaked into a secluded room, where your mother agreed to a download from my hard drive. As soon as I was ready to upload, we discovered that neither one of us had used a firewall, and since it was too late to hit the delete button, nine months later a little Pop-Up appeared that said: "You've got Male!"

## Life...Explained?

On the first day God created the cow. God said, "You must go to the field with the farmer all day long and suffer under the sun, have calves and give milk to support the farmer I will give you a life span of sixty years." The cow said, "That's a kind of a tough life you want me to live for sixty years. Let me have twenty years and I'll give back the other forty." And God agreed.

On the second day, God created the dog. God said, "Sit all day by the door of your house and bark at anyone who comes in or walks past. I will give you a life span of twenty years." The dog said, "That's too long to be barking. Give me ten years and I'll give back the other ten." So God agreed (sigh).

On the third day God created the monkey. God said, "Entertain people, do monkey tricks, make them laugh. I'll give you a twenty-year life span". Monkey said, "How boring, monkey tricks for twenty years? I don't think so. Dog gave you back ten, so that's what I'll do too, okay?" And God agreed again.

On the fourth day God created man. God said, "Eat, sleep, play, have sex, enjoy. Do nothing, just enjoy, I'll give you twenty years." Man said, "What? Only twenty years? No way man! Tell you what, I'll take my twenty, and the forty cow gave back, and the ten dog gave back and the ten monkey gave back. That makes eighty, okay?" "Okay," said God. "You've got a deal."

So that is why for the first twenty years we eat, sleep, play, enjoy, and do nothing; for the next forty years we slave in the sun to support our family; for the next ten years we do monkey tricks to entertain our grandchildren; and for the last ten years we sit in front of the house and bark at everybody.

A lady goes to the bar on a cruise ship and orders a Scotch with two drops of water. As the bartender gives her the drink she says, "I'm on this cruise to celebrate my 80th birthday and it's today.."

The bartender says, "Well, since it's your birthday, I'll buy you a drink. In fact, this one is on me."

As the woman finishes her drink, the woman to her right says, "I would like to buy you a drink, too."

The old woman says, "Thank you. Bartender, I want a Scotch with two drops of water."

"Coming up," says the bartender.

As she finishes that drink, the man to her left says, "I would like to buy you one, too."

The old woman says, "Thank you. Bartender, I want another Scotch with two drops of water."

"Coming right up," the bartender says.

As he gives her the drink, he says, "Ma'am, I'm dying of curiosity. Why the Scotch with only two drops of water?"

The old woman replies, "Sonny, when you're my age, you've learned how to hold your liquor. Holding your water, however, is a whole other issue."

"OLD" IS WHEN ... Your sweetie says, "Let's go upstairs and make love," and you answer, "Pick one; I can't do both!"

"OLD" IS WHEN ... Your friends compliment you on your new alligator shoes and you're barefoot.

"OLD" IS WHEN ... A sexy babe catches your fancy and your pacemaker opens the garage door.

"OLD" IS WHEN ... Going braless pulls all the wrinkles out of your face.

"OLD" IS WHEN ... You don't care where your spouse goes, just as long as you don't have to go long.

"OLD" IS WHEN ... You are cautioned to slow down by the doctor instead of by the police.

"OLD" IS WHEN ... "Getting a little action" means you don't need to take any fibre today.

"OLD" IS WHEN ... "Getting lucky" means you find your car in the parking lot.

"OLD" IS WHEN ... An "all nighter" means not getting up to use the bathroom.

AND

"OLD" IS WHEN ... You are not sure these are jokes!

Two kids are arguing over whose father is the biggest wimp.

The first one says, "My dad is so scared that when lightning strikes, he crawls underneath the bed."

The second kid goes, "That's nothing. My dad is so scared that when my mother works nightshift, he sleeps with the woman next door."

## From the Secretary's Desk

If you have been wondering where I have been the last few months, well let's just put it this way – the diary has gone from a little page for a week style to the full A4, one day to a page!

I know there is an expression –“If you want something done, give it to a busy person”, but my lifestyle has now reached the proportions of ridiculous.

I have now added another hat to my list of wife, mother, mother-in-law, grandmother, friend and general relative - that of distant carer for my aunt.

My “aunt” became quite ill during the year and had to move from her unit to an aged care hostel. After spending 3 weeks in the Royal North Shore Hospital, I had the task of finding and moving her to new appropriate accommodation. Boy, what a time I had. Most places have a waiting list that takes sooo long, that by the time it becomes available, it is no longer required! I spent my time driving to see her and arranging her affairs, what a task to give someone who lives over 120kms away. Finally all was arranged with the aid of a staggering telephone account, the national debt in a petrol account and numerous hours of frustration, not to mention sorting through a lifetime of precious possessions that could not go with her as her hostel room would not accommodate it all. Was it worth it – most definitely!

My aunt was my mother's best and lifetime friend, but they were not related. They were the terrible twins, who did everything together and spoke for hours on the telephone, even though they had seen each other earlier that day. Their interests were poles apart, but their friendship was the most enduring kind – she is a very career minded professional lady with no kids or pets and totally non domestic, while my mother had the works – kids, pets, a job to pay the bills, very house proud and an excellent domestic manager. Before you say anything – yes, I take after my aunt in the house – carpets are to hide the dirt on the floor, dust is covered by a doily and if God wanted us to be domestic goddesses, he forgot about me completely – maybe I was out having a ciggie at the time and he didn't come looking for me. With their differences came their shared vices and passions – housie, racehorses, pokies, the more than the odd tipple, the beach and a very generous love for my sister, myself and our growing families. I still say, between these two ladies, I can blame them for every vice I have!

My whole life, Auntie Jack has been there, she couldn't sew on a button for me, but she would take it to someone who could. I have very fond memories of Jatz biscuits and veggie, devon and tomato sauce sandwiches and countless hours of counselling and advice, which at the time I probably didn't appreciate, but now I give that same sound advice to my family. She arranged for my first holiday job at 13 and told me to lie about my age, tell them I was 14 she said, you get paid more, at Singer Sewing Machines in George Street in Sydney, selling accessories etc for dressmaking. Was this a hint of what was to come?

She was my second mother and I love her dearly. It's my turn to now look after her as she did for me. My mum always said “Parents worry about their children until its time for the Children to worry about their Parents”, that time is here now for me. I worry about our kids, all 5 of them and their partners, and their kids. I am there to help them, to give them the same love and support that was given to me, especially when they were young themselves and help was needed the most. Mum and Jackie would come, do the washing, the ironing and the cleaning, cook meals, entertain the kids while I got some sleep and generally make sure the grandkids were spoiled rotten – they came with big handbags and suitcases and I used to wonder why they needed so much stuff for a few days – now I know, the treats and bribery material, it works every time. They were there as soon as I asked for help, or they just knew it was time to come and just arrived – our son used to say excitedly every time he saw me cleaning house – “Nanna and Jackie are coming!”

One day I asked mum how could I ever repay her for what she had done for me, she just simply stated –“When your turn comes, remember what I did, and do the same for yours, as I did for you.”

That time has come, and it's my children's turn to have a career and a wonderful life as I have done and hopefully will continue to have. I am now the one who travels with large suitcases and handbags with the same contents of treats, bribery and love, as was done for me. It's time for me to watch over Jackie to make sure she is happy and healthy and to keep telling her it's no trouble, its not a burden, and it is a job gladly and willingly done, once again as she did for me.

To achieve my aims, I have to regretfully step down from my positions as Secretary and Editor. Family commitments, for me, must come first. My family needs me, and I will be there for as long as needed - a day, a week or a month, what ever it takes. John is my rock, he hears the phone call and say's “I'll fill the car with petrol and make sure its ok, you go and pack”, and eats baked beans and frozen dinners till I get home, saying I can do more for them than he can, and so he keeps the home fires burning and feeds and walks the dogs etc.

Thank you for your support, friendship and encouragement, it has been and always will be, greatly appreciated.



## **About the Airwaves.**

- 1 If you have any items you would like broadcast on Tuesday nights, please contact, Jack De Cesco phone on 42725134 VK2XGD 4227 1620 or at jack@newtec.com.au. If it interests you it will interest others, it's for the enjoyment of our members and other listeners.
- 2 Over the past few months, many members have changed their email addresses, as emails sent by the secretary have come back undeliverable. If you have changed your email address, could you please let the secretary know, so that our Member Registry is up to date.
- 3 Many thanks to Jack De Cesco at Newtek, for his monthly specials for our members. Thanks must also go to Jack for the Monthly Meeting raffle prizes, his choice is amazing and great value at the price.
- 4 Jacob Benko, VK2FIXX, is looking for a Club member to address his school with a talk on Amateur Radio, please contact Jacob if you are interested.
- 5 The Illawarra Historical Society is also looking for a Guest Speaker, if you are interested please contact Maeva Bennett, VK2HUG, for details.
- 6 The picnic at Cataract Dam was attended by only 3, Brian Farrar VK2AH, Adolf Steffgen VK2VAH and John Bennett VK2AAL. They waited some time for other members to arrive, but left shortly after 12. If members want social events, they should and need attend.

### ***The Importance of WALKING.***

Walking can add minutes to your life.

This enables you, at 85 years of age, spend an additional 5 months in a nursing home at \$5000 per month.

My grandmother started walking five kilometres a day when she was 60. Now that she's 97 years old, we wish she would come home, as we don't know where the hell to send her Christmas card.

The only reason I would take up exercise is so that I could hear heavy breathing again.

I joined a health club last year, spent about 400 bucks on all the right gear, but I haven't lost a kilo. Apparently I was told you MUST actually go there to be seen in all the right gear to lose weight!!!!

I have to exercise early in the morning before my brain figures out what I'm doing.

I like long walks, especially when they are taken by people who annoy me.

I have flabby thighs, but fortunately my stomach covers them.

The advantage of exercising every day is that you die healthier.

If you are going to try cross country skiing, to keep fit, start with a VERY small country FIRST!

Why not walk over to a friend and share the benefits of walking with them.

But why bother when you can e mail it to them!!!!