

THE PROPAGATOR.

Club Call VK2AMW

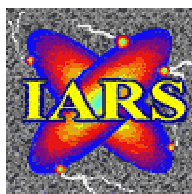
**VOLUME 05/02 ISSUED 1st Apr, 2005. PRINTED BI MONTHLY
PRICELESS.**

Meetings held second Tuesday of each month (except January).
S.E.S building Montague Street, Nth Wollongong. Starting at 7:30pm.

Official newsletter of the
ILLAWARRA AMATEUR RADIO SOCIETY INC.
PO Box 1838 WOLLONGONG 2500.

WEB Page www.iars.org.au

E-MAIL secretary@iars.org.au



Editor Dave VK2TDN
davenn@optusnet.com.au

Greetings all for another issue of the Propagator. It is a very thin issue this time as my calls and pleas for items to publish have not been responded to. The newsletter MUST have input from members to survive. It is better to see lots of other callsigns attached to articles and less of my callsign ☺.

I also regret to inform you all that this will be my last posting as editor

cheers Dave VK2TDN Editor

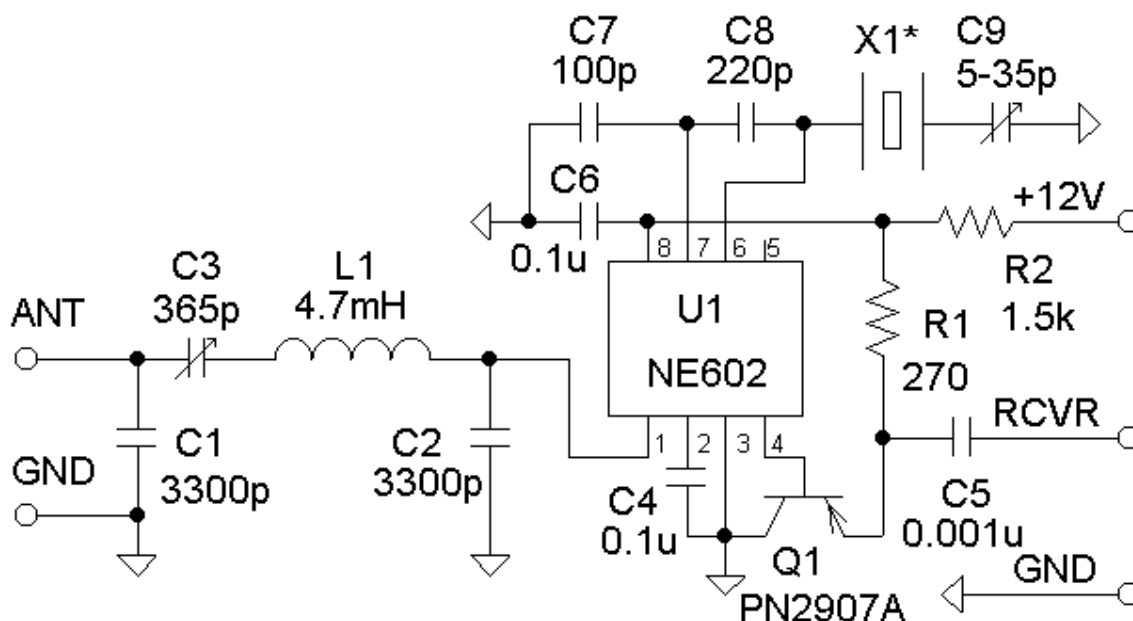
COMING EVENTS.

- 1) Club Broadcasts -- Tuesday nights 1930 hrs local time
The above event take place on the 146.850 and linked repeaters.
The Tuesday nite club net can also be heard on 3.620MHz
- 2) April Meeting -- Rob, VK2MT, will be talking about Digital TV
- 3) May Meeting -- John, VK2BHO, will be talking on Over the Waves

A Simple LF Converter

Dave VK2TDN

Here's a circuit for a simple low frequency converter that I used during the 1990's when I was in ZL4. I used to listen to the 181kc amateur experiments around ZL as well as DX'ing many NDB (Non Directional Beacons) navigation beacons from around ZL, VK and the south Pacific.



*X1: Any desired frequency from about 2 to 20 MHz

LF CONVERTER

There's dozens of beacons to be heard between 200 and ~ 450kc. The 2 to 4 letter callsigns sent in cw and often on top of each other make for fun separating them out. I used to have a list of 100 current beacons in the sth pacific but not with me in VK. I have been trying to find a list somewhere on the net or from another amateur. If I procure a list again I will pass it on to those who ask.

As stated in the diagram the xtal freq., X1, can be anything to suit what ever band you want to use as an IF, I used the 80m band. I built the cct up on some veroboard and hooked it up to a good end fed longwire antenna and a decent earth. For some extra gain a J310 FET can be used between the output of L1/C2 and coupled to the input of the NE602 via a 0.1uF ceramic cap. (talk to me for further info on that mod) Another variation is to swap C1 and C2 with 4.7mH inductors and have just the tuning capacitor C3 between them.

PLEASE SUPPORT OUR CLUBS SPONSORS AS THEY SUPPORT OUR CLUB.

Presidents report for the propagator 28/03/05

None received

Our Committee.

President.

Vice President. Rob McKnight VK2MT mcknight@winns.com.au 0408 480630

Secretary. John Bennett VK2AAL vk2aal@comcen.com.au ph: 4297 6065

Treasurer. John Lawer VK2KEJ ph: 4228 9856

Committee.

Geoff Howell VK2HIC (Public Relations)

Boris Rewak VK2JJJ boza@ihug.com.au

Peter Reid VK2HPR vk2hpr@1earth.net

Ned Macintosh VK2AGV criticalmass@hotmail.com

Daniel Brem VK2TAU dan@knowmore.com.au Ph 0419 288682

Fund Raising Committee. Dom VK2SX, Peter VK2HPR

Editor.

Publicity Officer. Geoff Howell VK2HIC

Membership secretary. John Bennett VK2AAL vk2aal@comcen.com.au ph: 4297 6065

Repeater Committee. Rob VK2MT, John VK2AAL

Canteen. Leigh Whitmarsh, Peter VK2HPR.

Web Master. Michael Eckardt VK2GNV, with help from Daniel VK2TAU.

NEWTEK ELECTRONICS

Phone and Fax 4227 1620

RESELLER FOR

Altronics Arista Jaycar Avico

Stockists of: Alarm Accessories, UHF Antennae,
Tools, Computer Accessories, Test Equipment,
Cables, Plugs, RF Sprays and Components for the
Professional and the Amateur

Call in and see Jack at 345 Keira St., Wollongong



From the Secretary's Desk

It's been a hectic few months for the Illawarra Amateur Radio Club, and as usual, and no doubt for all our members. Easter has come and gone early this year, which I hope all enjoyed, as I did, with family and friends gathered around. Was the Easter Bunny kind to you? I think one of the highlights of my Easter, is the Easter Egg hunt we have with our grandchildren on Easter Sunday. We spend a lot of time thinking of good hiding places, and the kids seem to find them so fast, but to hear their squeals of delight as they find them, makes it all the effort worthwhile.

Our Club now has a Fundraising Committee, Geoff Howell VK2HIC, Peter Reed VK2HPR and Jack Desecesco VK2XGD. It was Geoff's idea to form the Committee to raise money to keep our Club in the green. Every year the cost of maintenance and site fees for our repeaters rises and our Club needs the extra money to keep things on an even keel, as does any household. Please give them every assistance, as they are working to support everyone's hobby – Amateur Radio in the Illawarra. They have organised to sell Rotary raffle tickets at Warilla Grove on Thursday, 21st April and at Corrimal Court on Saturday 23rd April. If you have some spare time I am sure they would appreciate your assistance.

As you are no doubt aware our IRLP node, 6010, is not active at the moment, but I have it on good authority, it will be up and running soon. Between hardware, software and other problems, poor Ken, VK2TKE, has had his hands full. Once he got one thing working, he struck another problem. Hopefully, Murphy's Law will become a thing of the past real soon.

Further to the March Meeting and Motion from the floor, the Committee has had long and detailed meetings to discuss the issues of affiliation and insurance with the WIA National. Although both were inadvertently entered into, it was decided to rescind both applications to the WIA National, and to stay with our existing insurance through Select Insurance, CGU and the WIA NSW Group policy, for the time being.

Have you noticed, we have had a guest speaker at both Meetings? Many thanks to Graeme Cashion and Max Riley, for their informative and very interesting talks, that were enjoyed by all those who attended. We have more guest speakers in the next few months, April will be our own Rob McKnight VK2MT who will be talking about Digital TV, May will be John Hodgkinson VK2BHO who will be talking on "Over the Waves. How we Communicate from A-Z", Barry Fittler VK2DLI on the new 3G telephone system and Rod McCosker VK2DOT on a topic to be decided. I hope you enjoy their talks, and find them illuminating.

We also have had a request to hold a joint social event with the Fishers Ghost Amateur Radio Club and other clubs in our vicinity. I believe that this would be a good idea as we all know voices but we can't put a face to the voice.

Our first social event for 2005, will be a BBQ at Cataract Dam on Sunday, 15 May 2005. It is being organised by Peter Reed VK2HPR, and will start about 11.00am. There is hot water, shelter, seating and tables and BBQ facilities at the Picnic site, so all you have to organise is what you want for lunch. If you have any questions, please contact Peter.

Ted Thrift, VK2ARA, has asked the Committee for a hiatus from Club activities for a few months, but he will still be on the Illawarra airwaves. I hope he enjoys his well earned break from Club duties. Over the years Ted has done a great deal for our Club, which I am sure is appreciated by all our members.

Many thanks must go to our hard working Tuesday Night broadcast team, Geoff VK2HIC, Jack VK2XGD and Peter VK2HRT. I am sure you will agree the broadcasts are very well received by all.

A reminder that the WIA National is having a General Meeting in Canberra over the weekend of the 15-16th May, 2005 and details can be obtained at www.wia.org.au for those who are thinking of attending.

See you at the April Meeting.
Regards

Maeva Bennett
VK2HUG
Assistant Secretary

Accident Reports Given On Insurance Claims

- #18. The guy was all over the road. I had to swerve a number of times before I hit him
- #19. The pedestrian had no idea which way to run, so I ran over him
- #20. An invisible car came out of nowhere, struck my car and vanished
- #21. A truck backed through my windshield into my wife's face
- #22. I pulled away from the side of the road, glanced at my mother-in-law, and headed over the embankment

That's it for this issue,
73 Dave VK2TDN

Disclaimer:

All articles presented in this publication are as given. The IARS accepts no responsibility for any damage to equipment arising from same. The views expressed within are those of the contributor not necessarily that of the Editor or the Club.