

IAR/S THE PROPAGATOR IAR/S

ILLAWARRA AMATEUR RADIO SOC. INC.

MONTHLY NEWSLETTER OF THE ILLAWARRA AMATEUR RADIO SOC. INC.
VOLUME - 89 , NUMBER : 7

AUGUST 1989.

REGISTERED BY AUSTRALIA POST PUBLICATION NUMBER : NBH - 1491.

MEETINGS ARE HELD ON THE SECOND TUESDAY OF EACH MONTH,
(EXCEPT JANUARY) AT 7.30.PM. AT THE STATE EMERGENCY SERVICES,
BUILDING , IN MONTAGUE STREET , NORTH WOLLONGONG .

VISITORS ARE MOST WELCOME TO ATTEND THE MEETING'S .

***** Incoming President's Report *****

Being of unsound mind and body, (well body perhaps) I have undertaken the responsibility of President of our club with a view to improve it's service, and to create a more interesting atmosphere within our hobby.

The new committee is one of ambition with a sense of drive and goal seeking abilities, which means for us; the members and the Illawarra Radio Society, a brighter future. As can be seen from other pages in this issue of the Propagator a variety of subjects will be covered this year including the initial set up of our club station VK2AMW, the new 10 metre repeater VK2RAH and thoughts toward a 6 metre repeater.

Before closing this small report, I would like to thank Bill Chadburn our ex President and the members of his committee for a job, (under extreme pressure) well done. Hoping to see you all at the next meeting.

Peter, VK2KHE.

***** Editorial Comment *****

Well! Here we are in the drivers seat for the first time. Only 11 more issues to go. It was quite a challenge getting our team elected to run the club for the next 12 months, but we've done it! I would like to thank all the members who supported us. To those who didn't support us, I would like to assure them of our best intentions to help the club. To those who didn't do anything, I sympathise with you. Someone once said that there are three kinds of people in the world. Those who make things happen, those who watch things happen, and those who don't know what the hell is happening. Which type are you?

Why? Why? Why? Why should we devote many hours doing a job we're not particularly suited to, and quite frankly, would prefer to spend our time doing other things? Why beat our head against a brick wall? Why push a dying cause? Why put up with the abuse for doing something? Why put up with the abuse for doing nothing? Why plan events that will be seen by 30, appreciated by 3 and derided by 27? Why? Quite frankly, I don't know. The three of us (John VK2XGJ, Peter VK2KHE and I) decided that instead of bitching about how nothing was being done for our hobby, we should get up and do something. So we did! Will we succeed? I very much doubt it because the apathetic majority won't support us. When our reign is over they will shake their heads, say "I knew it!!", and wait for the next sucker to put his head on the chopping block.

Written by Peter.VK2FPN (Editor and President in charge of Vice).

***** THE COMING YEAR *****

This is a proposed list of topics to be covered in the forthcoming year at each general meeting of the society. Naturally, it will be altered as needed, but this is the ideas that have been put forward.

- August 89. A discussion and demonstration of our new 10 metre repeater before location at Mt. Murray.
- September 89. A Computer night using various machines and software pertaining to amateur radio and other areas of interest.
- October 89. Demonstration of Kenwood products. No one has been asked to do this yet, but it's on the list.
- November 89. Auction night. The idea is for you to buy the products in October and donate them to the club for the Auction. BAD NEWS! VK2YKQ won't be on hand, although we are expecting him to give us a blank check to purchase things on his behalf.
- December 89. Family night so you can bring the XYL and the harmonics. Might try to make this something special. Also hope to have a representative(s) from WIA.
- January 90. No meeting held as we need a rest.
- February 90. Demonstration of Yaesu products. They must come if we get Kenwood. Also hopefully VK2YKQ will give a talk on his trip to the Orient.
- March 90. General discussion. Time to have your say and work out who the new committee are going to be. Also something else needed for the night but what?
- April 90. Auction night. What!! Another one????
- May 90. Technical night including videos etc. This one's secret. If you don't turn up you won't know.
- June 90. Rag chew to discuss general aspects and future of our club.
- July 90. Annual general meeting. (Election night!!)

The above items are at this stage on a temporary basis and will be held if possible. All changes will be advised in the Propagator and Club broadcast. Naturally, it goes without saying, that your suggestions and offers for help are most welcome.

***** Some thoughts on helping revive the club *****

by Brian Clarke VK2KLH.

People join organisations, stay in organisations and leave organisations for different reasons.

For some it is the feeling of being with like minded people, for some the thrill of growth in competence, skill and confidence while for others, the desire to organise groups of people to do things they could not do on their own. Some go beyond these personal desires toward more altruistic ideas - helping others, cutting red tape, advancing the knowledge base, turning the skills to the benefit of the community.

In all cases, to follow a hobby involves "costs" - and one continues to put effort into the hobby as long as "benefits" exceed costs now or can be seen to in the near future.

For some benefits exceed costs through home brew, for others a budget is set beyond which no further commitment is envisaged as long as the hobby stays intensely involving.

People's needs change as they progress through life - as do their resources, especially around home purchase, starting a family, kids starting in school, changing jobs. And we have to consider the competing pressures of growing XYL/family demands, increasing complexity/mystification of communication equipment making building, maintaining, repairing, alignment more time consuming/costly, government disposals less amenable to amateur intervention - and less available.

These thoughts suggest we need to cater for a wide variety of needs - we need to organise to meet them - we probably need people on organising subcommittees who represent the wide range of needs and are willing to commit effort to organising resources to meet these needs.

Perhaps suitable analogies are the telephone exchange or Paddy's market. With the telephone exchange model, those willing to offer services, resources, skill training or whatever identify their wares and how they can be contacted. Interested consumers make contact. The Paddy's market model is a little more commercial, but can respond to needs faster; the problem here is how to determine what "stalls" should be offered, to whom, at what concession.

Per' s a mix of strategies is needed - some telephone exchange for home brew's, some Paddy's market for those without home brew skills or time.

But we ought ideally to start with knowledge of:-

What people expected before they joined.

What they experienced (costs & benefits) when they joined, and as they stayed on.

Why people have left (have they left?)

From this data, when analysed, we can then

Short list a set of possible future strategies

put them up for voting/piloting/trial

assess their effectiveness

refocus the club's strategy

and so on, on a more or less continual loop of set goals, set up strategy, implement, measure, reset goals etc.

***** QUESTIONNAIRE *****

As you may remember, a questionnaire was put forward to all members prior to the AGM with regards to helping the committee provide a better service for you the member. An interim result of that questionnaire is now at hand and is summarised as follows:-

Number of respondents, 28

- Q1. Good 8, Fair 13, Poor 2, No opinion 5.
- Q2. Stay 19, Change 1, Any but Fri/Sat or Sun 8.
- Q3. 7:00pm 2, 7:30pm 20, 8:00pm 2, No opinion 4.
- Q4. Yes 22 and No 6.
- Q5. This was the Topics question in which there was 23 selections for both demo's and auctions, and 1 to 6 varied response to the others.
- Q6. Yes 25 plus a 1 to 8 varied response with regards to advertising in local media etc.
- Q7. Yes 16, No 5 and No opinion 7.
- Q8. Yes 22, No 4 and No opinion 2 with various suggestions such as Fox hunts, Projects construction, A car rally using 2 metre instructions, Revive Moonbounce in conjunction with other clubs, Weather Mapping and club station with requests for all amateur optional modes TX and RX.
- Q9. Yes 18 and No 9.
- Q10. Yes 22 and No 4.
- Q11. Yes 20, No 3 with 5 No opinion

A copy of this questionnaire has been included in this months Propagator for the benefit of those members who have not had the chance to fill one in as yet. Simply bring it along to the next meeting or mail it to: I.A.R.S. Inc, P.O. Box 1838 Wollongong. 2500

CALLING all AMATEURS...

Its time to visit your local
Market at BULLI if you need:-

METERS.....

ANTENNA MATERIALS..

RADIO PARTS.....

BIT BITS AND PIECES..

ELECTRONIC Thingamys

TRUE VALUE for Money...

CAVIONS

11. Molloy street BULLI.

PHONE: (042) 84-6838.

***** CRISIS *****

What a way to start the year. Our faithful photo copier has had an internal haemorrhage. First reports indicate \$800 will be required to fix it. \$800!!!!!! Wow!! I'm in the wrong game. Anyhow that's just a rumour. You'll have more information at the meeting I expect. In the meantime, I'm using my photo copier to produce the Propagator. I personally prefer the size of this issue to the larger size although it's a little harder on the eyes. Let's have some feed back. If you want the old one back, you'll have to approve urgent repairs to the club copier.

**** *****

***** NO TIME *****

I have been thinking lately about time. It's a very common excuse for not doing something. In fact, it's my excuse for not having this Propagator up to the standard I have set myself. And talking about standards, I have been very lax in my editorial about thanking the excellent work done by the previous editors and printers. I won't mention who they are cause you already know, and have thanked them on many occasions for the excellent job they have done. (That's one of the many lies I expect to tell over the next 12 months) I doubt very much if much has been said to any one of them about the excellent job. Ours is one of the best produced magazines and you should give thanks to Morry, Jock, Dave, Mike and Peter. I intend to raise those standards even higher.

Anyhow, back to the subject of time. You're just going to have to put up with me rambling on and getting away from the subject. It's the old story ... if you don't like it, show me how you can do better. But! Back to time. Next time you are asked to do some small task and use the excuse 'I don't have time', ask yourself what the answer would have been if the person had offered you \$10,000 to do the job. If your answer would have been yes, it means your excuse wasn't valid. Maybe instead of saying we don't have time, we should say 'I do have the time but I'd rather do something else!'

***** PROBLEM *****

I've always been intrigued as to how the editors always seem to finish a story at the end of a page or column. I can't. Maybe someone could tell me how it's done.

COAST-WIDE COMMUNICATIONS

Lot B

Lawrence Hargrave Drive,

THIRROUL

We Stock: C.B. RADIOS

C.B. AERIALS, COAX, CABLE

MARINE RADIOS

TV. AERIALS, ETC, ETC.

SALES AND SERVICE

OPPOSITE THE SHELL

GARAGE..... Phone. 67-2134

Wayne Newport

VK2KWN

***** FRL 6 *****

As we all know, the club is always after money!! (Aren't we all!!). This is needed for the general running of the club, the exorbitant wage paid to the President, and the mere pittance that the Editor receives. This year, we want to get the club station going, add an antennae tower, and pay for the photo copier repair. That should leave us with a defecit of \$19,823.67. (Tax not included.). Since the new committee (1990/91) won't like that to start with, we'll have to start raising some of that ourselves. FRL 6 is just about to start, and there are about 8 vacant positions. Not many, but it means the difference between making a profit and breaking even. The cost is \$1 a week (less than the cost of a beer) and you stand to win \$10.00 every week. If the syndicate wins a prize (as has happened many times in the past) you share the prize. Would you like 1/44th share of \$1,000,000?? You wouldn't?? When's your doctor's appointment!!!

Our Treasurer (currently learning to speak South American Spanish) will be more than happy to take the money off you!!!!

FOR PEOPLE WHO WANT QUALITY AND SUPPORT AT A REALISTIC PRICE THINKING ABOUT PC's?

We sell quality IBM COMPATIBLES with SUPERIOR specifications to the original and at much LOWER PRICES.

XT, AT and 386 compatible Computers
All are TURBO machines and have 12 month warran!

ALL WE ASK IS THAT YOU PHONE US BEFORE
BUYING COMPUTERS, SOFTWARE OR PERIPHERALS.

SOFTWARE

Available: Educational, Real Estate, Milko, Doctor, Hire,
Register, Accounting, Sales Monitoring and Programming Languages
for IBM and Compatibles.

HARDWARE

Available: All peripheral for IBM and Compatibles including
Printers, Monitors, Hard Disk and Expansion Cards.

OTHER

CONSULTING, CONTRACT PROGRAMMING & TRAINING AVAILABLE
WE HAVE BEEN IN THE INDUSTRY SINCE 1979.

for your computer needs

PHONE JAMSON COMPUTER SERVICES

(042) 61-5451

(042) 615451

(042) 61-5451

MON-FRI : 7.30 PM - 9.30 PM

SAT-SUN : 9.30 AM - 9.00 PM



***** FUTURE *****

You will notice somewhere else in this issue the proposed agenda for the next 12 months. One topic I suggested was the computer night in September. Why computers? Apart from the fact I like them, they are a part of our life these days. In fact they almost control it! A lot of people, and in particular the older ones, have trouble coming to terms with computers. It isn't much of a problem with our club members as they seem to keep abreast of technology anyway. Even so, there is still an air of mystique about what computers can and can't do. During the evening, we will have several different computers and show you what they are capable of doing. This display won't be purely on Amateur Radio, in fact, there might not be too much on radio. It is mainly to stimulate your interest.

Have you ever thought of writing your own program? I bet you thought you could never do it. Well, just to whet your appetite I'll show you how easy it is. The first program anyone ever writes is to print their name on the screen. Hardly an earth shattering event, but it's a start. Here it is.

```
**** PROGRAM ***           comments to explain program

10 CLS                       clear the screen.
20 INPUT "Input your name ... ",n$  this asks you a question
30 PRINT "How are you ";n$         this prints a message on the
                                   screen and adds your name

We can now get more elaborate and enter the following .....

40 IF n$ <> "Peter" THEN GOTO 110  if name isn't Peter then miss
                                   a few lines of code & goto 110
50 INPUT "Is your call VK2KHE" g$   just asking a question
60 g$ <> "yes" THEN GOTO 90         if answer not yes miss lines
70 PRINT "Good morning President"   prints to the screen
80 GOTO 120                         jump to line 120
90 PRINT "You must be a worker."    If you're not the President
                                   and your name is Peter you
                                   must be a worker!!!

100 GOTO 120                       you know what this does
110 PRINT "You are not President."  if your name isn't Peter you
                                   can't be the President
120 END                             end of program
```

FOR ALL MECHANICAL REPAIRS
GO TO 423 PRINCES HIGHWAY

 CORRIMAL 

MAZCARE

84-4359

SPARES REPAIRS
SERVICING ALARMS
WHEEL BALANCING
AIR CONDITIONING
TOW BARS TOWING

***** HEY!!!!!! You forgot to read this paragraph.

Now!!!! I know you've skipped reading the program listing on the previous page, but it took me 5 days to compile that, so go back and look at it. Obviously that's not much use, but it shows you how easy it is to program. If you can write a logical process in English, you can convert it to a program. There are lots of us who would be very happy to help you. There are also many computer clubs around with dozens of members with expertise in computers.

For the experts, I have made 2 errors. One wouldn't affect the program, but the other will produce a syntax error. A free issue of the Propagator to the first correct answer.

***** WANTED TO LOAN *****

For our club station, we need a lot of equipment. First consideration, is a 13.8v 20A Power supply, or some parts to assist in the construction. Other equipment such as Transceivers, Receivers and Test gear will be needed. It is the committee's intention to make the club station one to be proud of and by this means hope to inject some younger blood into our club.

Contact Committee.

\$\$\$\$ Treasurers Report 88/89 \$\$\$\$

Well as you all know, the AGM has been and gone, and once again we look forward to a year prosperity for our club and its members. The last 12 months have not passed without problems in one way or another, but we have come through unscathed and with a reasonably healthy bank balance.

I would like to take this opportunity to wish the new Treasurer every success for the coming year and thank the outgoing committee for a job well done.

Peter Tomlin. VK2KHE Acting Treasurer.

NEWTEC- ELECTRONICS

We stock:

ALARMS - ANTENNAS
BOOKS BOXES
COMPONENTS, COMPUTERS
HARDWARE, KITS, TOOLS
WIRE AND LARGE RANGE
OF SEMICONDUCTORS FOR
THE PROFESSIONAL AND
AMATEUR OR HOBBYIST

116 CORRIMAL STREET
WOLLONGONG

(JUST UP FROM THE HARP-HOTEL)

Phone: 27-1620

***** DOTC Question *****

As you can all no doubt recall, (Ha! Ha! I'll bet they never even looked at it ... ed) the answer to last weeks question was 'B'. In phase modulation the frequency deviation is proportional to both the amplitude and frequency while in frequency modulation it is proportional only to the amplitude of the modulating signal.

Now for this months question.

The difference between a 'simple' and a 'delayed' AGC system is that :-

- a) Delayed AGC systems feedback to IF and RF stages. Simple does not.
- b) Simple AGC systems suffer from BFO overload but delayed does not.
- c) Delayed AGC systems will not act until a certain signal level is reached.
- d) Simple AGC systems follow signal level variations more rapidly.
- e) I haven't a clue.

***** MINUTES *****

Brief Minutes of the last general meeting held Tues 11/07/89.

Apologies VK2TPH, VK2FPN, VK2VJS, VK2FE, VK2EBI.

General Business

- 1. SES approved construction of an 11 meter antenna tower for 20 meters.
- 2. A 40w 10 M repeater is now operational on 29.520 input and 29.62 output.

Correspondence.

- 1. Various magazines and newsletters.
- 2. Letter from VK2FE thanking repeater committee.
- 2. Letter from VK2FE with information on the sunspot cycle.

A The AGM was held the same evening.

***** POSITION VACANT *****

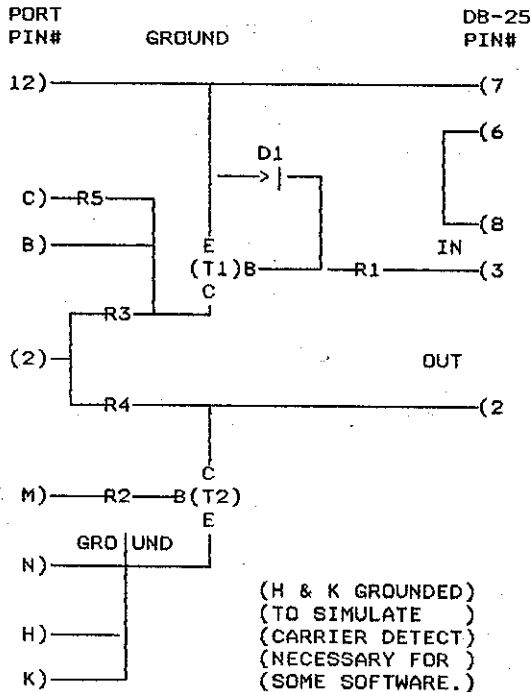
We need someone who can create some stories, tales, features etc to help this newsletter. I don't have much to put into it, and would rather have a lot of personal items that people read rather than a lot of construction projects that are skipped (I always skip them! Do you?). Except for a few dedicated soles (maybe souls), I think most of us purchase equipment rather than build it. Of course, I know we never have time these days!

SUBJECT: C-64 TO RS232 INTERFACE.

Here is a little project some of you might like to build if you have a C-64 or C-128.

T1,T2.....2N2222 NPN OR EQV
 R1,R2,R5...1K OHM
 R3,R4.....3.3K OHM
 D1.....DIODE
 24PIN EDGE CONNECTOR-FOR C=64
 (TRW 50-24A-30 OR EQV)
 DB-25 FOR RS-232 END

C=64 USER



C=64 CONNECTOR PINOUT (SOLDER SIDE)
 1 1 1 (LETTERS)
 1 2 3 4 5 6 7 8 9 0 1 2 (G & I)
 = = = = = = = = = (NOT USED)
 A B C D E F H J K L M N

DB-25 CONNECTOR (SOLDER SIDE)

1<----->>12

13<----->>25

Pins 1,12,A,N on C64 connector are all ground. Use what is convenient. Pin 2 is +5V. I cut a small piece of perfboard and mounted it onto the back of the C64 connector with two pieces 1/4 inch dowel rods for standoffs. This made a neat little sold contained package with only the cable going to the DB-25 connector.

DB 25--TO--DB 9 RS-232

DB-9

1	2	3	4	5	6	7	8	9
H	R	T	N	-	D	R	S	D
W	X	X	C		S	T	T	C
C	D	D			R	S	S	D

DB-25

8	3	2	20	7	6	4	5
R	R	T	D	-	D	R	C
L	X	X	T		S	T	T
S	D	D	R		R	S	S
D							

-----* Repeater Report *-----

Well another month has flown by and it will soon be Xmas again. The next meeting will be an interesting one as the lads will be bringing along the new 10 MX repeater to give a demonstration and a talk on the trials and tribulations of repeater building. A vote of thanks must go to Rob VK2MT, Peter VK2BIT and Ralph VK2IU for the building of the repeater at little or no cost to the Club. As the repeater will be taking a trip 'Up the Hill' shortly to its final home, this will be the last chance most club members will get to see what is involved in a working repeater.

The only outstanding jobs to be done up at Mt Murrumbidgee is the changing over of the antennae and a final tune-up of the WIA link RX cavity and we will be in good shape for the coming summer months.. This will be carried out when the WX is predictable and we can shanghai a couple of "warm bodies" to help with the lowering and raising of the mast. As a final comment this month, seeing as soon we will have an operational 10 MX repeater, I think a 6 MX repeater would round out the IARS Inc's roster of repeaters very nicely. I know where there are a couple of 10-band VHF radios!!!!!! Any takers????????

See you all at the Meeting,
de VK2XGJ.

WOLLONGONG ALUMINIUM CENTRE

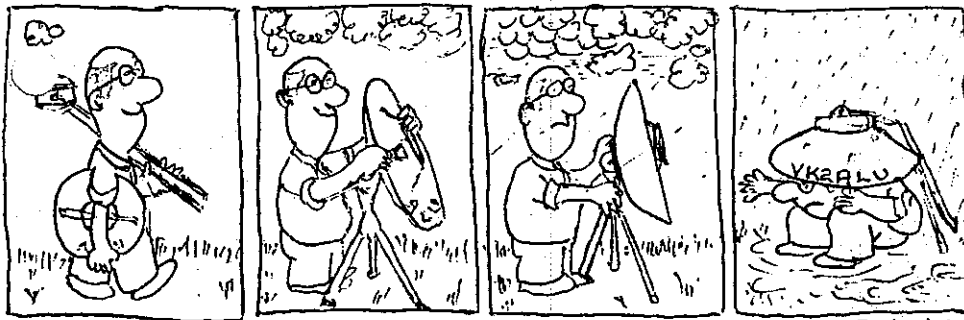
Available Ex Stock a Range of
ALUMINIUM:-

- * Rectangular Hollows.
- * Round Hollows.
- * Square Hollows.
- * Flat Bars.
- * Channels.

* Cutting Service Available *

All at COMPETITIVE WHOLESALE
PRICES. Suitable for building
your own antennas.

Situated At :-
79 Gipps St; WOLLONGONG
Located close to railway
crossing.
Phone: 299382 or 285932.



with acknowledgments to Practical Wireless.

Meetings are held every second Tuesday of the month except January at 7.30pm in the SES Headquarters, Montague St. North Wollongong.

<u>Repeaters</u>	VK2RAW - 146.850	Voice	VHF	Mt. Murray.
	VK2RAW - 147.575	Packet	VHF	Mt. Murray.
	VK2RIL - 147.275	Voice & RTTY	VHF	Sublime Point
	VK2RUW - 438.225	Voice	UHF	Hill 60 Pt Kembla.
	VK2RIL - 438.725	Voice & RTTY	UHF	Sublime Point.
	VK2RAH - 29.520/29.620	Voice	HF	Knights Hill.

Broadcast is on Sunday evening at 7.00 pm. RTTY mode transmitted on 147.275 and relay on 3.562 Mhz +/- QRM. Callbacks taken immediately after. Voice broadcast held after WIA broadcast on 146.850 Mhz (VK2RAW) and 3.562 +/- QRM.

WIA Relay is on 146.850 at 10.45 am and 7.15 pm each Sunday.

Newsletter is published monthly to reach all financial members in the week preceding the club meetings. Articles and letters most welcome.

Membership costs \$12 per annum with students & pension concessions at \$9.

Lawrence Hargreave Award VK stations require 10 contacts with I.A.R.S. members. Overseas stations require 5 contacts. One contact with the club station VK2AMW is suitable. Details of contacts to be sent to the secretary.

Store The club runs a store each meeting where the unusual and hard to obtain hardware may be purchased.

***** COMMITTEE *****

<u>President:</u>	VK2KHE - Peter Tomlin	30 Kotara Cres	Unanderra.
<u>Vice President</u>	VK2FPN - Peter Read	43 Bright Parade.	Dapto.
<u>Secretary</u>	VK2TPH - Phil Howchin	12 Mawarra Dve.	Dapto.
<u>Assistant Sec.</u>	VK2KCV - Pat Kennedy		
<u>Treasurer</u>	VK2XGJ - John Simon	14/42 Brownsville Av	Brownsville
<u>Assistant Treas.</u>	VK2YKQ - Dave Henderson		
<u>General Committee</u>	VK2KEY - Pat Jordan	VK2KCV - Pat Kennedy	
<u>Repeater Chairman</u>	VK2XGJ - John Simon		
<u>Repeater Committee</u>	VK2CAG - Graeme Dowse	VK2EXN - Ian Callcott	
	VK2MT - Rob McKnight	VK2FCP - Fred Brown	
	VK2EMV - Morry van der Vorstenbosch		
	VK2IU - Raffael Buono		
		- J Rewak	
<u>QSL Cards out</u>			
<u>QSL Cards In</u>			
<u>Publicity Officer</u>	VK2MT - Rob McKnight		
<u>Broadcast Officer</u>	VK2KHE - Peter Tomlin		
<u>Cartoonist</u>	VK2AXI - Brian Wade		
<u>Propagator Editor</u>	VK2FPN - Peter Read		
<u>Printers</u>	VK2DSH - Dale Hughes	VK2XCC - Ray Ball	
<u>Social Director</u>	VK2XCC - Ray Ball		
<u>Canteen Manager</u>	VK2DYU - Bill Chadburn		
<u>Store Manager</u>			
<u>DOTC Liaison</u>	VK2OB - Keith Curle		
<u>Life Members</u>	VK2CAG - Graeme Dowse	VK2OB - Keith Curle	
	VK2ALU - Lyle Patison		