
THE PROPAGATOR

MONTHLY NEWSLETTER OF THE ILLAWARRA AMATEUR RADIO SOCIETY

PO BOX 1838 WOLLONGONG NSW 2500

VOLUME 83, NUMBER 11

DECEMBER 1983

Registered by Australia Post Publication No. NBH1491

MEETINGS ARE HELD ON THE SECOND MONDAY OF EACH MONTH (EXCEPT JANUARY) AT 7.30 P.M. IN THE CONGREGATIONAL HALL, CORNER OF COOMBE AND MARKET STREETS, WOLLONGONG. VISITORS ARE WELCOME TO ATTEND MEETINGS.

NOTICE OF MEETING

The next meeting of the Illawarra Amateur Radio Society will be held at 7.30 p.m. on Monday 12th December.

No speaker has been arranged for this meeting but come along and 'chew the rag' on this our final meeting for 1983.

Please Note: the first meeting for 1984 will be held on FEBRUARY 13th, there being no meeting (and no Propagator) in January.

LAST MONTH'S MEETING

This was held on 14th November 1983 and among the several visitors attending were members of the Fisher's Ghost and Gulgong Clubs. In General Business, Dave VK2EZY gave details of the U.H.F. Kilometre (70 cm) Contest for the greatest distance contact, starting 1st January 1984. Don't Forget This One! Also a reminder of the Christmas Picnic to be held at Cordeaux Dam from 10 a.m. on Sunday December 4th. Members, their families and friends all welcome.

Denis VK2DMR, our licensed auctioneer, then conducted the Annual Auction which attracted spirited bids and some members obtained undoubted bargains. The Club coffers also benefitted to the extent of about \$250 in commission.

SEASON'S GREETINGS

The Committee and Editorial Staff of the Illawarra Amateur Radio Society wish all our members, readers and their families a joyful and safe Christmas, and a happy and prosperous New Year to you all.

+++++ MOUNT MURRAY NOW ON WIND POWER +++++

ON SATURDAY 19/11/83 A GROUP OF 5 SPENT THE WHOLE DAY, ABOUT 12 HOURS IN ALL, AT MOUNT MURRAY REPEATER SITE CONVERTING THE REPEATER OVER TO OPERATE ON WIND POWER.

MUCH ORGANIZATION HAD GONE INTO THE PREPARATION OF THE ELECTRICAL AND MECHANICAL BITS AND PIECES OVER THE LAST 4 OR 5 WEEKS LEADING UP TO THE BIG DAY. THANKS TO DAVE VK2EZY WE DID AN EXCEPTIONALLY GOOD DEAL ON THE PURCHASE OF THE WIND GENERATOR. DAVE ALSO GOT THE SIGN-WRITING DONE ON THE TAIL FIN INDICATING THE REPEATER'S CALLSIGN AND THE ADDRESS OF THE I.A.R.S. IAN VK2EXN MADE UP THE MOUNTING HARDWARE TO FIX THE GENERATOR TO THE MAST. THIS TURNED OUT TO BE NO SIMPLE TASK AS IT HAD TO BE RE-DESIGNED SEVERAL TIMES BEFORE HE WAS SATISFIED THAT IT WOULD WITHSTAND THE FORCES THAT IT WOULD HAVE TO ENDURE IN GALE FORCE WINDS. A SPECIAL SHUNT REGULATOR HAS TO BE USED IN CONJUNCTION WITH A WIND GENERATOR, AND THIS WAS BUILT BY MYSELF. THE REGULATOR ALSO CONTAINS A VOLTAGE SENSING DEVICE THAT CAUSES THE TONE OF THE IDENT TO VARY PROPORTIONALLY WITH THE BATTERY VOLTAGE.

THESE ARE THE JOBS THAT WERE DONE ON SATURDAY:-

- 1/. WIND GENERATOR MOUNTED ON ITS BRACKET AND ATTACHED TO THE MAST, WIRING RUN FROM THE GENERATOR INTO THE CUBICLE.
- 2/. PRE-FABRICATED SHELVEING (ALSO MADE BY IAN) SCREWED TO THE INSIDE OF THE CUBICLE TO CARRY THE EXTRA BATTERIES NEEDED.
- 3/. SHUNT REGULATOR INSTALLED AND WIRED UP.
- 4/. COMPLETE 12 VOLT POWER DISTRIBUTION SYSTEM RE-WIRED WITH THE STEEL CUBICLE NOW BECOMING THE SUPPLY NEGATIVE AND EARTH FOR EACH UNIT.
- 5/. 600 AMP-HOURS WORTH OF BATTERIES INSTALLED AND CONNECTED.
- 6/. IDENT TONE SWITCHING UNIT WIRED UP AND TESTED.
- 7/. ALL NEW METALWORK PAINTED AND GENERAL MAINTENANCE AND PAINTING DONE AROUND THE CUBICLE AND LOWER MAST SECTION.

THANKS TO VK2EXN, VK2EMV, VK2KEY AND PETER FROM ROBBO FOR A JOB WELL DONE.

FROM AN OPERATIONAL POINT OF VIEW, THE ONLY DIFFERENCE THAT WILL BE NOTICED IS THAT THE TONE OF THE IDENT SIGNAL WILL CHANGE FROM TIME TO TIME. THERE ARE 5 SEPARATE TONES RANGING FROM VERY LOW TO VERY HIGH. THIS IS WHAT THEY MEAN:-

- | | | |
|-------------------------|---------------------------|---------------|
| 1/. VERY HIGH (1900 HZ) | = BATTERY VOLTAGE BETWEEN | 13.3 AND 14. |
| 2/. HIGH (1050 HZ) | = BATTERY VOLTAGE BETWEEN | 12.7 AND 13.3 |
| 3/. NORMAL (750 HZ) | = BATTERY VOLTAGE BETWEEN | 12.0 AND 12.7 |
| 4/. LOW (600 HZ) | = BATTERY VOLTAGE BETWEEN | 11.5 AND 12.0 |
| 5/. VERY LOW (BUZZ) | = BATTERY VOLTAGE BELOW | 11.5 |

IN CASE OF (4) AVOID USING THE REPEATER IF THE CONTACT COULD BE MADE ON A SIMPLEX CHANNEL, AND KEEP QSO TIME TO A MINIMUM, AND IN CASE OF (5) USE THE REPEATER ONLY IN AN EMERGENCY, AND FOR AS SHORT A TIME AS POSSIBLE BECAUSE THE BATTERY IS NEARLY FLAT.

HOPEFULLY THESE CONDITIONS WILL NEVER ARISE, AS THE CAPACITY OF THE BATTERY IS SUFFICIENT TO RUN THE REPEATER UNDER NORMAL USAGE FOR 25 DAYS WITHOUT ANY CHARGING. THOSE WHO LIVE NEAR THE REPEATER SITE ASSURE US THAT RARELY DOES A WEEK GO BY WITHOUT WIND.

ANOTHER VISIT WAS MADE TO THE SITE A WEEK PREVIOUS TO THIS AFTER THE BIG WIND STORM TO REPLACE THE GPV5 RECEIVING ANTENNA WHICH HAD SNAPPED OFF AT THE LOADING COIL AGAIN. THIS IS THE THIRD TIME THAT THIS ANTENNA HAS BEEN DAMAGED BY THE WIND, AND IT IS NOT GOING TO BE REPAIRED AND USED AGAIN. FOR THE TIME BEING, THE 'DRAINERS DELIGHT' DIPOLE MADE BY ERIC VK2YVF (NOW P29ZEF) IS IN USE FOR RECEIVING.

CHANNEL 7275 SUBLIME POINT.

THE RTTY REGENERATOR HAS BEEN ALTERED SLIGHTLY AFTER A FEW MINOR 'BUGS' APPEARED DURING THE FIRST WEEK OF OPERATION.

THE ACCESS TIME FOR THE RTTY REGENERATOR TO LOCK ON HAS BEEN INCREASED FROM HALF A SECOND TO TWO SECONDS, AND THE RTTY ACCEPTANCE BANDWIDTH HAS BEEN INCREASED FROM 50HZ TO 100HZ ABOVE AND BELOW MARK AND SPACE, MAKING THE BAND LIMITS FOR RTTY NOW 2025 AND 2395HZ. ALSO THE DEVIATION OF THE INPUT SIGNAL MUST EXCEED 2KHZ., FOR THE RTTY MODE TO RELIABLY LATCH ON. IT IS A FAIRLY SUBSTANDARD RTTY SIGNAL WHICH DOES NOT MEET THE ABOVE REQUIREMENTS, SO IF THE REPEATER IS NOT ACCEPTING AND REGENERATING YOUR RTTY TONES, THEN EITHER ONE OR BOTH OF THE TONES ARE OUTSIDE THE FREQUENCY LIMITS MENTIONED OR YOUR DEVIATION IS TOO LOW.

THE CHANGES WERE MADE TO (A) ELIMINATE FALSE TRIGGERING INTO RTTY MODE ON VOICE SIGNALS, AND (B) TO PREVENT THE REPEATER FROM REJECTING THOSE SIGNALS THAT ARE marginally off frequency.

THERE HAS BEEN A TREMENDOUS INCREASE IN THIS REPEATER'S USAGE ESPECIALLY ON RTTY, ESPECIALLY SINCE THE PUBLICITY GIVEN IN W.I.A. AND A.N.A.R.T.S. BROADCASTS. MANY RTTY STATIONS IN THE SYDNEY AND BLUE MOUNTAINS AREAS ARE USING THE RTTY FACILITY IN SPITE OF THE DIRECTIONAL CHARACTERISTICS OF THE AERIALS. RTTY SIGNALS DON'T HAVE TO BE STRONG TO PRODUCE NOISE FREE REGENERATED OUTPUT WITH 100% COPY.

GRAEME VK2CAG.

FOR SALE

On UHF handheld transceiver working on hill 60 repeater.

\$ 110

Mark VK2FI Ph 295881

I.A.R.S. TEE SHIRTS

ARE YOU PROUD TO BE A MEMBER OF SUCH A PROGRESSIVE AND RESPECTED ORGANIZATION AS OURS? DO YOU WANT TO PROMOTE AMATEUR RADIO AND LET OTHERS KNOW OF THE EXISTENCE OF THE I.A.R.S.?

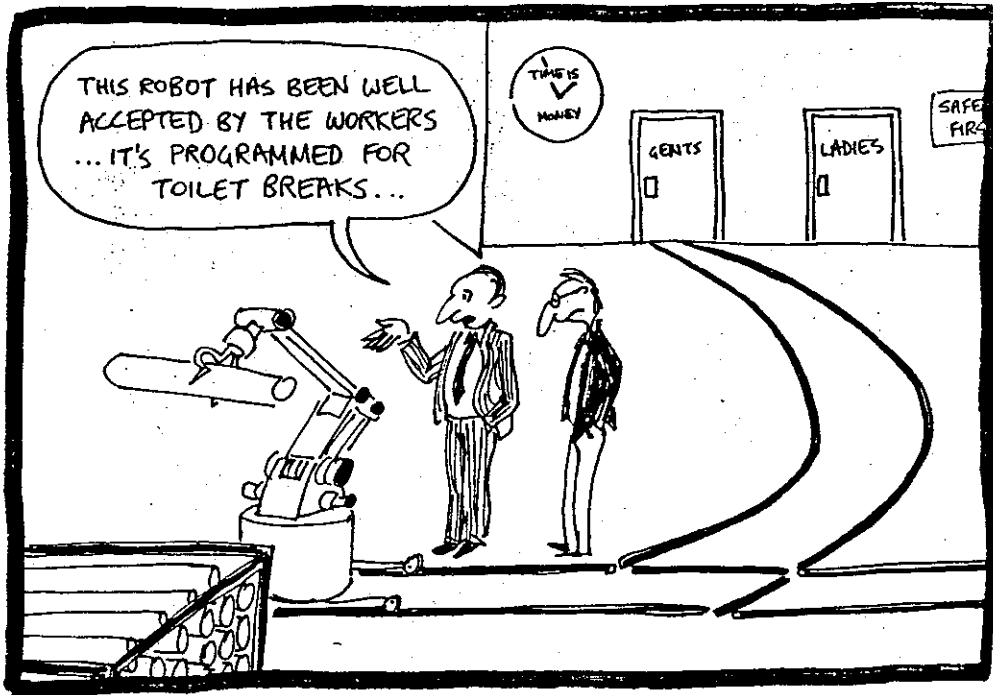
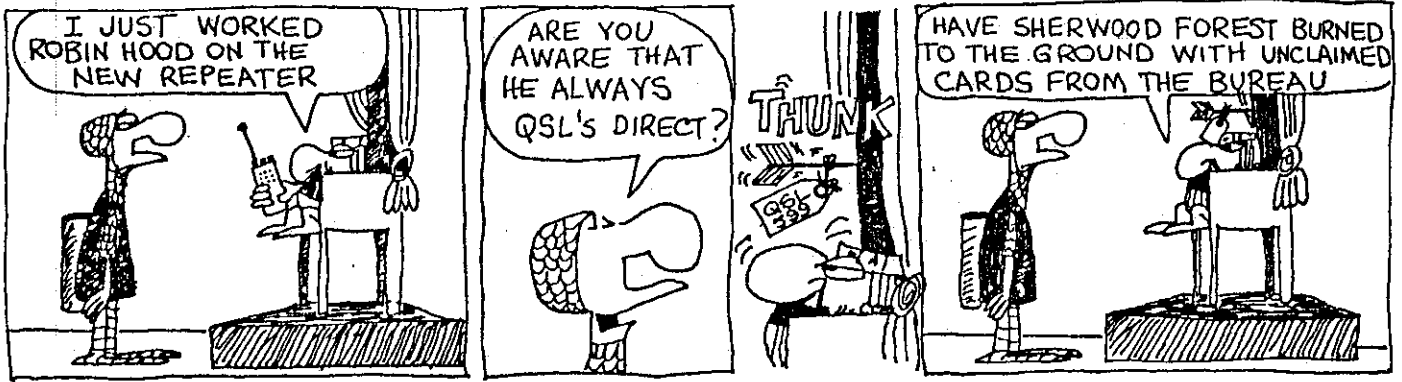
THEN BUY AN I.A.R.S. TEE SHIRT AND WEAR IT WITH PRIDE.

THEY ARE AVAILABLE IN SIZES 14 TO 22, THEY ARE BLUE WITH WHITE PRINT. ON THE BACK IN LARGE LETTERS IS PRINTED 'ILLAWARRA AMATEUR RADIO SOCIETY' AND ON THE FRONT IS A LOGO WITH 'IARS' IN THE CENTRE. THEY ARE ON SALE TO MEMBERS ONLY FOR \$8.50 EACH, WHICH IS COST PRICE.

ORDER THROUGH THE STORE AT THE NEXT CLUB MEETING, OR CONTACT VK2CAG ON PHONE 833623 AND PLEASE GIVE YOUR SIZE WHEN ORDERING.

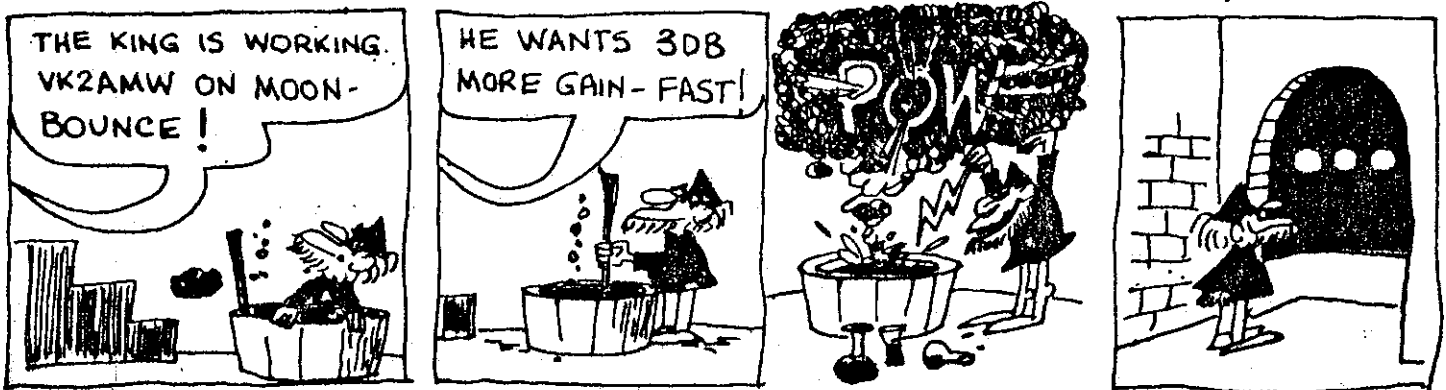
DE W1AW - WORLD OF RADIO, A PROGRAM DEVOTED TO RADIO COMMUNICATIONS THAT FREQUENTLY AIRS ITEMS ABOUT AMATEUR RADIO CAN BE HEARD ON WRNO WORLD WIDE. FREQUENCIES AND TIMES ARE 6185 KHZ AT 0530Z SATURDAY, 6045 KHZ AT 0330Z SUNDAY, AND 11940 KHZ AT 1500Z SUNDAY.

FROM ANARTS WEEKLY NEWS BROADCAST, 6TH NOVEMBER 1983.



OPERATORS of an off-shore platform on the North-West Shelf have laid great emphasis on safety, frequently casting a dummy into the seas to monitor crew reaction. Recently, this life-like dummy was dropped into the water for another exercise, only to be rapidly devoured by a passing shark. The company is re-examining procedures.

THE AUSTRALIAN, October 27 1983.



Lyle's aim For 1984

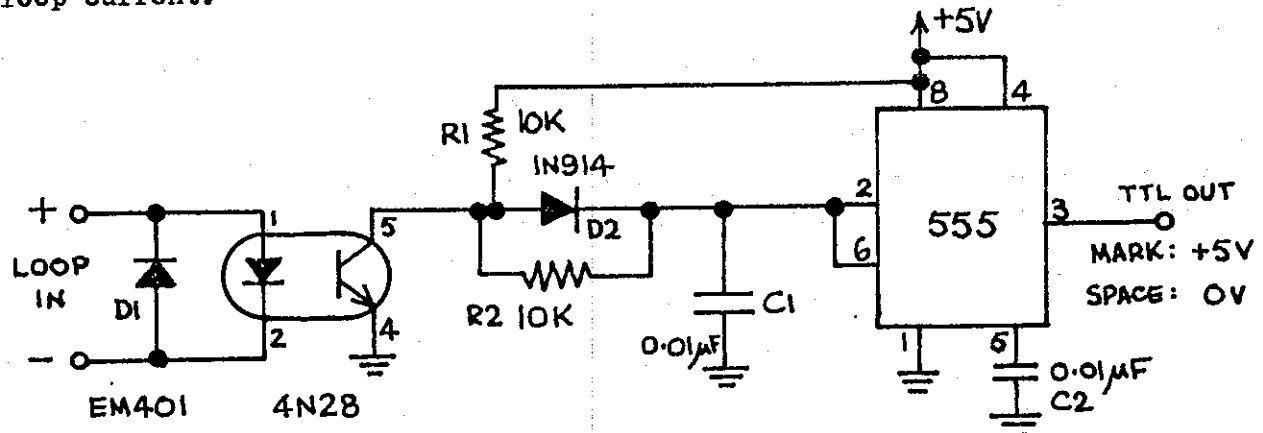
TTL OUTPUT FROM TELEPRINTER LOCAL LOOP

Brian VK2AXI

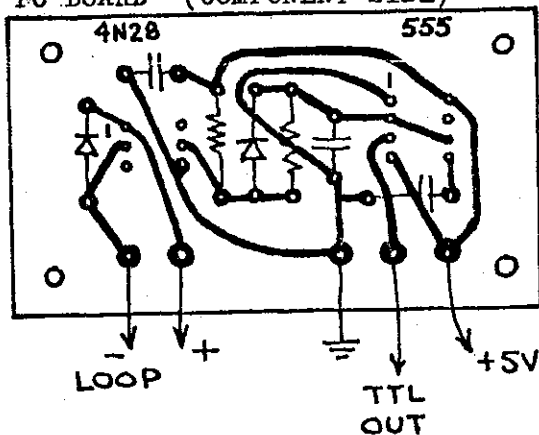
The following circuit provides TTL-compatible pulses from a teleprinter loop circuit, and has been adapted from a "Ham Radio" article which was reproduced in a recent copy of "Arewise".

The 4N28 opto-isolator provides complete isolation between the high-voltage loop supply and the TTL circuitry. Components R1, R2, D2 and C1 suppress keyboard contact bounce. The 555 is connected as a Schmitt trigger to produce a clean, squared output.

I have been using this arrangement to drive a ZWL modulator (which uses TTL frequency dividers) from the loop circuit of a Siemens M100 with 40 mA loop current.



PC BOARD (COMPONENT SIDE)

Circuit Operation:

Diode D1 protects the LED in the opto-coupler from transient reverse voltages in the loop (and from incorrect connection to the loop!).

The following occurs for space and mark respectively:

Space: No loop current flows so the opto-coupler LED is off, and the opto-coupler transistor is turned off. C1 charges via R1 and D2 and when the voltage at pins 2 and 6 of the 555 reaches 2/3 of the supply (i.e., 3.3 volts), pin 3 goes low (to zero volts).

Mark: Loop current flows, turning on the opto-coupler LED which turns on the opto-coupler transistor. C1 discharges via R2 and the optocoupler transistor and when the voltage at pins 2 and 6 of the 555 reaches 1/3 of the supply (i.e., 1.7 volts), pin 3 goes high (to +5 volts).

OUT OF SIGHT...

On April 13th 1977, Miss Yvonne Whittlesham, also known as "The Psychic Escapologist", decided to celebrate the Queen's Silver Jubilee with a 60 mph "Blindfold Dash".

Accordingly, she donned an iron blindfold and set off in a powerful car, her foot hard on the accelerator.

She crashed headlong into the side of a barn within four hundred yards, a mere 59 3/4 miles short of her target.

- David Frost, "I Could Have Kicked Myself".

EXTRACTS FROM THE BOOK "TRAMPS AND LADIES" BY SIR JAMES BISSET, EX-COMMODORE OF
THE CUNARD WHITE STAR LINE.

MORSE CODE AT SEA: Ships equipped with wireless usually carried only one operator. It had not occurred to shipowners that three operators are required to stand watches in rotation for an efficient twenty-four hours service per day. The main duty of the operators was to send and receive commercial marconigrams for passengers to and from shore stations, which relayed them as telegrams. Ships' messages were also transmitted as marconigrams. These included messages between ships, such as ice-warnings, or between ships and the shore, with expected times of arrivals or owners' instructions and suchlike.

When marconigram business was slack, the operators in the ships "gossiped" unofficially with one another, often in a joking and sometimes profane and insulting manner. The operators nearly always knew what ships were within range, and exchanged at least identification signals and brief messages of greeting. There was no systematic organization of "wavelengths". The operators manipulated their crystal detectors until they heard signals, and then joined in, listening for anything of interest, or sometimes 'chipping in' with a comment or their own identification. Frequently an operator transmitting marconigrams would signal to another in his neighbourhood QRL, meaning 'Keep quiet, I'm busy', or GTH 'Get to Hell!'

Nearing the shore, on both sides of the Atlantic, conditions in the ether were made chaotic by the activities of hundreds of amateurs, known as 'tin-can operators', who cut in on ships' messages with their own comments, sometimes frivolous or sarcastic. These pests "faded" 150 miles from the shore, but, even in mid-ocean, there were usually half a dozen or more ships within range of one another at any time, and many of the operators, having met on shore or in training schools, were personally acquainted. They were a fraternity of pioneers, considered to be cranks, and had the curious habit of addressing one another as OM ("Old Man"). A common signal exchanged between them was GTHOMQRL (Get to Hell, old man, shut up, I'm busy!) or ASOM (Wait a minute old man!). Acknowledgement of an identification was often TUOMGN (Thank you, old man, good night.).

DISTRESS SIGNALS: International Radio Telegraphic Conventions, held at Berlin in 1903 and 1906, had not reached agreement on the control of the ether waves for commercial purposes, and had not even agreed on an international Distress Call signal. In British ships the Marconi Company in 1904 had authorised the use of the letters CQD as a distress call. This was a development from postal and railway electric telegraphy in Britain in which CQ was the signal for all stations to stand by, and the letter D (for distress) was now added to it. It had been suggested at the Berlin Conference that SOS should be the distress call, chiefly because it was so easy to send, but this suggestion was not adopted until 1908.

THE TITANIC: At 11.40 pm, on 10th April 1912, Titanic struck an iceberg, a glancing blow on the starboard side. At 00.15 am the Titanic sent out her first distress call, "CQD CQD CQD (six times) MGY (Titanic's callsign). Have struck an iceberg. We are badly damaged. Lat 41.46 N. Long 50.14 W".

Cottam (wireless operator on the Carpathia) was not listening at that moment. Ten minutes later, at 00.25 am, he idly picked up the headphones. At that time nothing was being transmitted. Instead of switching off and going to bed, he decided to call up Phillips of the Titanic. On getting the curt response - from Phillips - "K" (Go ahead), he began affably tapping out "GMOM (Good morning, old man). Do you know that there are despatches for you at Cape Cod?". To his utter amazement Phillips broke in: "CQD CQD SOS SOS CQD SOS. Come at once. We have struck a berg. CQDOM. Position 41.46 N 50.14 W. CQD SOS."

This was the first time in history that the internationally agreed SOS signal of distress was sent from a liner at sea.

The Titanic sank in water 2 miles deep. When the last of the lifeboats had been lowered there remained on board the sinking ship 1,390 men, 103 women, and 53 children. Of these, 43 men were later picked up in the water.

LOW-DUTY-CYCLE TUNE-UP METHOD FOR TRANSMITTERS

Having found from sad experience that most final amplifier tubes experience damage and life shortening during tune-up, I decided to use my automatic electronic keyer as a duty-cycle device to cut down tube dissipation during this critical adjustment period. Put your transmitter in the CW position and set your keyer to send dots in the highest speed mode. (Use a dummy load at all times-ED) Because your transmitter is on only a fraction of the time, your average plate dissipation is low, and you will find it almost impossible to damage your tubes during tune-up. If you work phone often, you can leave your transmitter in the SSB condition and feed the keyer's audio side tone into your microphone input circuit. This is readily accomplished with a simple switch and a small variable potentiometer used to set your input at the desired voltage level. This method will save you the trouble of changing your transmitter mode switches from SSB to CW and back to SSB when you want to tune up. When you use this technique for phone, you avoid the necessity of yelling AHHHHHHHHH into the microphone, a rather unscientific way of establishing a tune-up reference level.

If you do not have an automatic keyer, a relay connected to act as a buzzer with an RC time constant circuit can be used to provide an intermittent on-off low-duty-cycle keying signal. I prefer the automatic keyer, as the tone is a lot cleaner than when using the relay buzzer technique.

K4KI, from Ham Radio.

'RADIO PHONE-PATCH' CONNECTIONS TO BE LIBERALISED.

Telecom will widen the range of circumstances where 'radio phone-patch' connections may be made to the telephone network. Telecom emphasised that the 'radio phone-patch' services would be confined to specified user groups - mostly those with mobile radio services. The services could not be resold.

Telecom will continue to be the provider of the public mobile telephone service through the rapid expansion of its high technology cellular radio now operating in Melbourne and Sydney and soon to be introduced in other capital cities and regional centres.

There was a growing need for 'radio phone-patch' facilities among the following specified user groups:

1. Emergency Services operating mobile radio.
2. Amateur radio operators
3. CB radio operators.
4. Common interest groups operating mobile radio.

There are a number of examples such as farmers who wish to make phone calls from their tractors via radio back to their home telephone, and country taxi services which wanted to be able to contact emergency services direct from their vehicles. Australian amateur radio operators will be able to enjoy the phone-patch arrangements available in some overseas countries.

Copies of the new policy details available may be obtained from Telecom Headquarters (phone (03) 606 7616). Existing permits will be updated to the new conditions and new applications will be accepted from November 1, 1983.

The phone-patch equipment must be approved and wired in place by Telecom.

TELECOM NEWS - October 1983

Moonbounce Report - December 1983.

Realignment of the dish structure to true north was carried out by the use of a large jack, wedges and sledgehammer wielded by Ian VK2EXN and assistants, followed by reclamping of the main foundation bolts. The accuracy of tracking of the dish is now limited only by some slackness in flexible couplings in the drive system and insufficient engagement of the teeth of the main hour angle drive gears, all of which will be given attention over the next few weeks.

Permanent 240volt AC outlet boards were provided in the dish cubicle and operating room.

The receiver preamplifier unit was installed in an additional weatherproof box which was positioned on supporting angles at the feed horn.

The receiving system was then checked out. It gives 15dB of Sun noise and better than 4dB cold sky to ground (50ohm termination) noise with the best of the currently available preamplifiers in use.

The transmitter power amplifier unit in its weatherproof box was installed on the rear of the parabolic reflector. Remote metering of PA stage anode current, power output and anode tuning capacitor position was made operational on the new operating panel and the remote tuning system was checked out.

The transmit system was optimised for output of 120 watts from the power amplifier and the power delivered to the feed horn was measured at over 90 watts. This will be increased when the lower loss coax. cable is installed between PA unit and feed horn.

The above work resulted in the receive and transmit systems becoming fully operational for 1296MHz experimental and communication service.

It had been hoped that we could be on during the ARRL EME weekend on 26th and 27th November, but rain and heavy cloud prevented sighting of the moon during this period. The need to be able to see the moon should be reduced when we have improved the accuracy of tracking of the dish sufficiently to keep it within its 2 degree beamwidth.

Requests are now being received from various EME stations for scheduled tests and it is hoped that these can be arranged in the near future.

It is also planned to carry out some operation of the dish as a radio telescope over the next few weeks, once the chart recorder is made usable again.

Any interested members might let me know when they would like to be present for the above experiments.

Lyle VK2ALU.
(Project Coordinator.)

9th CONFERENCE OF CLUBS.
DELEGATES REPORT.

On Sunday November 6th, I travelled to Gosford to represent the club at the 9th Conference of Radio Clubs. The following is a short report on the conference and its deliberations.

Business arising from the previous minutes included a discussion on permission given to Sam VK2BVS to relay the WIA broadcasts onto both 27 Mhz and UHF CB frequencies. A motion to have this decision rescinded was moved and lost. Your club voted against the motion. Club members might like to think whether this might be a good thing to do as well locally in an attempt to let users of the CBRS learn a little about amateur radio (we could even advise listeners about the IARS and the classes at Tech. to help them to get their licences.).

BUSINESS ON NOTICE.

a) That the Federal Executive make strong representation to the Federal Government recommending the removal of the recently imposed 30% import duty on Amateur H.F. radio transceivers. This was moved by our club and was carried unanimously. It should be noticed that the WIA has had several meetings with the appropriate Federal authorities and that progress is being made.

b) That the N.S.W. Division of the WIA take positive action against any amateur who is a member of the Institute and who uses, or encourages the use of amateur equipment on frequencies that require DOC type approved equipment. This was moved by Orange club and supported by your club. It was pointed out that there was little that the Division could actually do whether positive or otherwise and the motion was lost.

c) That the WIA (N.S.W. DIV.) video tape library be open to individual members of the WIA. This was moved by Central Coast club and an amendment was moved by our club that affiliated clubs have first preference. It should be mentioned that WIA members can already borrow (or copy non-copyrighted) tapes from the Federal Video tape library and that the N.S.W. tapes were a copy for the use of clubs as a service to reduce postage costs. Both the amendment and the motion were carried.

d) That the WIA encourage repeater licencees to display on main roads, at the approximate limits of reliable mobile coverage, the frequency used by the local repeaters. Further that, if agreed, the appropriate authority be approached with a view to having such signs added to suitable existing signs. This was moved by Hornsby club and was not supported by our club. It was felt that this would be impossible to carry out properly, that the cost would be extreme and that maintenance would be a problem. The motion was lost.

e) That a covert investigative team be brought into existence, that could permanently monitor the behavior of operators, especially on the VHF 2 metre repeaters, and endeavour to track down those operators who persist in making a nuisance of themselves, and wilfully interfere with other operators, and use obscene language, bearing in mind that the amateur service is self regulatory and that the WIA is the representative body.

This was moved by Hornsby club and supported by our club. Most members would be aware of the reasons for this motion and moves are afoot to clean up the amateur service, especially when the new "RADCOM" bill comes into being and gives the authorities some "teeth" to deal with these people. The motion was carried.

f) Having regard to the need to be able to pass messages accurately under all conditions and acknowledging that Morse code transmission is the most reliable form of radio transmission under all conditions, it is moved that all WICEN members should be required to produce evidence of his or her ability to send and receive Morse code at five words per minute.

This motion was moved by the Orange club and lapsed for the want of a seconder. During the discussion which ensued it was pointed out that if the reasons given were valid then the requirement should be that all operators should only use AMTOR. Other speakers suggested that such a move would only further reduce the already depleted ranks of WICEN and would disenfranchise holders of the Limited AOCIP.

g) That consideration be given for a suitable name change for WICEN incorporating the words AMATEUR RADIO. This was moved by Orange club, was not supported by our club and was lost.

h) That the Wireless Institute of Australia approach the DOC for the allocation of a narrow band of frequencies in a suitable amateur band, available to all classes of licencees. This was moved by the Summerland club, was not supported by our club and was lost. It should be noted that similar motions have been put forward at almost every conference of clubs and have always met a similar fate.

That concluded the formal business and various awards were presented to clubs for :

- a) The greatest percentage increase in WIA membership since the last conference of clubs. (Orange)
- b) The winners of the 24 and 6 hour VK2 divisions of the 1983 John Moyle Memorial Field Day. (Wagga and Griffith clubs)
- c) The Dick Smith Educator of the Year Award - to Keith Howard of the Central Coast club.

Members of the IARS are reminded that membership of the WIA not only gives you a cheap BSL service (many

amateurs seem to think that this is it's only function) but does a valuable service to all amateurs and deserves the support of us all. If you are not currently a member Geoff- VK2ZHU will only be too pleased to help you to join or to rejoin. Look on your membership as belonging to a trade or professional association. Without the WIA the amateur service in Australia would not be in the position it is in today (there very well may not even be a Novice Licence without the lobbying done by the WIA)

73s
VK2DMR

Dick Smith Electronics Pty Ltd

INCORPORATED IN NSW



Head Office: Cnr Lane Cove Rd & Waterloo Rd, North Ryde, NSW 2113, Australia.
Postal Address: P.O. Box 321, North Ryde NSW 2113, Australia
Telephone: (02)888 3200 Telex: AA20036 Cables: DIKSMIT Sydney
International Phone No: 61 2 888 3200

The Australian Company

28th October, 1983
1089
GC.rar

THE EDITOR
"THE PROPAGATOR"
33 LOMBARD AVENUE
FAIRY MEADOW NSW 2519

Dear Sir,

I read with interest the article on "The Dick Smith Explorer" by VK2CAG in your October issue and wish to thank the author for his constructive comments.

The shortcomings in the instruction manual and parts list, as well as PCB and overlay have been corrected for future kits. It is only through the publication of errors found and constructive criticism offered in such articles, that inaccuracies can be eliminated from this type of complex kit. We welcome all comments so that subsequent projects will make our aim of high quality amateur radio kits a reality.

Yours faithfully
DICK SMITH ELECTRONICS PTY LTD.,

GARRY CRAPP
GENERAL MANAGER OF RESEARCH AND DEVELOPMENT

IARS UHF "KILOMETRE KONTEST"

- 1) The contest is open to current financial members of the I.A.R.S. who are eligible to use the band specified.
- 2) Contacts to be made within the 70cm UHF Amateur Band as per allocation using F.M. mode only.
- 3) Power output and antenna design is free.
- 4) Acknowledgement of a Repeater I.D. is not sufficient, however a contact through a Repeater can be entered, the Repeater site being the point of contact.
- 4a) Please include suburb of both stations e.g. not Wollongong to Newcastle but Bulli to Merewether.
- 5) No mechanical or extra terrestrial passive repeaters can be employed - however natural geographic reflectors can be used. Aeronautical mobile station may not be used
- 6) The "kontest" will be over a six calendar month period commencing on 1st January 1984 and finishing 30th June 1984.
- 7) Entries should be submitted monthly to the event secretary (Dave VK2EZY) - with details of equipment, power, antenna etc.
- 8) Scoring. The five entries with greatest accumulated kilometer coverage for the month will be awarded points in descending order ie. best performance - 5 points, second - 4 points, third - 3 points etc. The greatest points tally after six months is the winner, second total gets second place etc.
- 9) The Judges' decision will be final and no debate or correspondence will be entered into .
- 10) Contact with a particular station can be claimed once only per month and only in the month in which it was made.
- 11) It would be pleasing if contestants enter into the spirit of the event for which it is meant.

PRIZES: Donated by Dick Smith Electronics.

First: YAESU FT 690R Transceiver

Second: YAESU FL 6010 Linear Amplifier

Third: YAESU FL 7010 Linear Amplifier

Other minor awards are currently being negotiated

Any queries please contact event secretary Dave VK2EZY

KOS

J
5
4

m
6

THE ILLAWARRA AMATEUR RADIO SOCIETY - P. O. BOX 1838 WOLLONGONG 2500

Meetings: Second Monday of every month except January at 7.30 p.m. in the Congregational Church Hall, Coombe Street, Wollongong. Committee Meeting - 3rd Monday of each month.

Repeaters: VK2RAW - 6850 VHF Mount Murray. VK2RIL - 7275 VHF Sublime Point.

VK2RUW - 8225 UHF Hill 60 Port Kembla. VK2RIL - 8725 UHF Sublime Point.

Broadcasts: On Sunday night prior to Club Meeting - 7.00 p.m. RTTY on 6850 VHF Repeater; 7.15 p.m., Voice on 6850 VHF, 7275 VHF and by relay on 3.562 Mhz. Call backs after the WIA relay at 7.30 p.m.

W.I.A. Relay: On 6850 VHF at 11.00 a.m. and 7.30 p.m. weekly on Sunday.

Club Nets: 3562 Khz SSB on Sunday at 8.00 p.m. and slow morse net on 28.440 Mhz on Tuesday at 8.00 p.m.

Newsletter: "The Propogator", published monthly to reach financial members in week prior to meeting. All articles, ads etc. to the editor, Leo Kleeborn, VK2YJK at 33 Lombard Avenue, Fairy Meadow 2519. Telephone 84.9751. Copy deadline 3rd Tuesday each month.

Membership: The Secretary, I.A.R.S. P. O. Box 1838, Wollongong 2500. Full membership is \$7.00 per annum; students and pensioner concessional members \$4.00 per annum.

QSL's: For financial members who are also financial members of the W.I.A. ONLY.

Inwards: Mike Keech VK2DFK, QTHR; Outwards: Ian Callcott VK2EXN QTHR.

Awards: The award of the I.A.R.S. is "The Lawrence Hargrave" award. VK stations require 10 contacts with I.A.R.S. members; overseas stations require 5 contacts with I.A.R.S. members or contact with the Club station VK2AMW is sufficient in itself for the award. Band details - time, day, date, frequency, station worked + \$2.00 or 4 I.R.C.'s to Award Manager, I.A.R.S., P. O. Box 1838, Wollongong 2500. No QSL cards required.

Store: The Club store operates at each Club meeting.

Committee: President - Dave Myers VK2DFL, 78 Highlands Pde., Bulli. 849404

Vice President - Keith Curle VK2OB, 24 Beach Drive, Woonona.

Secretary - Murray McConnell VK2MY, 62 Ramah Avenue, Mt. Pleasant.

Treasurers - Geoff Cuthbert VK2ZHU, 2 Nioka Avenue, Keiraville.

Richard Fox VK2ERF, P. O. Box 1120, Wollongong.

General Committee: Mike Keech VK2DFK, Ian Callcott VK2EXN, Ray Ball VK2XCC Morry Van-De-Vorstenbosch VK2EMV, Jim Mead VK2EJM, Jock Taylor VK2JT, Roy Parton VK2KO.

Repeater Chairman: Graeme Dowse VK2CAG.

Repeater Committee: Mike Keech VK2DFK, Morry Van-De-Vorstenbosch VK2EMV, Ian Callcott VK2EXN, Dave Colless VK2EZY.

Broadcast Officers: Denis McKay VK2DMR, Paul Gardiner VK2ZQT.

QSL's: Mike Keech VK2DFK and Ian Callcott VK2EXN.

Propogator Editor & Staff: Leo Kleeborn, Editor VK2YJK, Ken Frost VK2DOI, Cartoonist Brian Wade VK2AXI.

Storepersons: Kitty and Kel Smith VK2PSK, VK2PSI.

Life members: Graeme Dowse VK2CAG Keith Curle VK2OB