

The Propagator



CLUB CALL VK2AMW
VOLUME 07/02 ISSUED NOVEMBER, 2005
NOW PRINTED MONTHLY
WORTH MORE THAN PETROL
MEETINGS HELD SECOND TUESDAY OF EACH MONTH (EXCEPT JANUARY).
S.E.S BUILDING MONTAGUE STREET, NTH WOLLONGONG. STARTING AT 7:30PM.
THE PROPAGATOR IS THE OFFICIAL NEWSLETTER OF
ILLAWARRA AMATEUR RADIO SOCIETY INC.
PO Box 1838 WOLLONGONG 2500.
WEB PAGE - WWW.IARS.ORG.AU
E-MAIL- SECRETARY@IARS.ORG.AU
EDITOR- MAEVA BENNETT VK2HUG

EDITORIAL

November promises to be a very busy month for our Club.

The November 8th Meeting will be our Annual Auction Night, with VK2XQX Simon Ferrie as our auctioneer. For the rules of the auction read the article regarding the rules from our President, Tony Stone VK2TS.

The new Foundation Licence also came into effect on the 19th October, with the first licences already operational – interesting the first licence was issued to a woman, sorry had to put that one in! I have also included an article on the new changes for existing licences that that will involve for your information.

Hope you find this issue informative and interesting, remember, if you have anything you would like to contribute to the Propagator, please contact me.

Maeva Bennett
VK2HUG
Editor.

THE ILLAWARRA AMATEUR RADIO SOCIETY INC EXECUTIVE AND COMMITTEE FOR 2006

President: Tony Stone VK2TS vk2ts@bigpond.net.au Ph 0404 839 465
Vice President: Rob McKnight VK2MT mcknightr@winns.com.au ph: 0408 480630
Secretary: Maeva Bennett VK2HUG vk2aal@comcen.com.au ph: 4297 6065
Treasurer: John Lawer VK2KEJ ph: 4228 9856

Committee.

Geoff Howell VK2HIC (Public Relations and Publicity) vk2hic@nsw.chariot.net.au
Jack Desceso VK2XGD jack@newtek.com.au
Frank Diggle SWL
Boris Rewak VK2JJJ vk2jjj@tpg.com.au
Peter Reid VK2HPR vk2hpr@optusnet.com.au
John Bennett VK2AAL VK2HUG vk2aal@comcen.com.au ph: 4297 6065

Fund Raising Committee. Geoff Howell VK2HIC, Peter Reid VK2HPR and Jack Desceso VK2XGD
Editor. Maeva Bennett VK2HUG vk2aal@comcen.com.au
Publicity Officer. Geoff Howell VK2HIC
Membership secretary. John Bennett VK2AAL vk2aal@comcen.com.au ph: 4297 6065
Repeater Committee. Rob VK2MT, John VK2AAL
Canteen. Peter Reid VK2HPR.
Web Master. Michael Eckardt VK4GNV



HINTS & KINKS

THE "TENNA-TUNE": A SIMPLE CONTROL/SWR INDICATOR FOR SCREWDRIVER ANTENNAS

◇ Antennas based on Don Johnson's (W6AAQ) "screwdriver" design have become extremely popular because of their performance and remote-tuning abilities. Miniature versions of these antennas have recently become available from numerous sources.

These miniature antennas interest me because I like to operate mostly "mobile-at-rest." Therefore, I want a small antenna package that I can easily remove and install on my car.

After considering several of the different antennas currently available, I settled on the Little Tarheel "screwdriver" antenna (www.tarheelantennas.com).

I like to pair my Little Tarheel with the MFJ-1954 10 foot telescoping whip (www.mfjenterprises.com/products.php?prodid=MFJ-1954). This combination makes a very effective mobile-at-rest/portable package, with operation down to 60 meters (and even 80 meters if you don't mind changing the base-matching coil for that band).

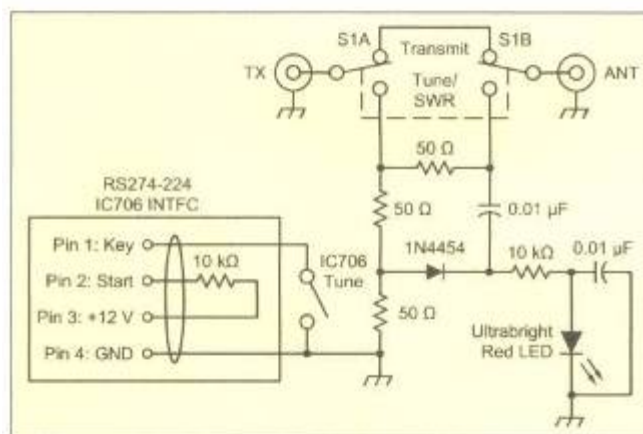


Figure 1—The Tenna-Tune schematic.

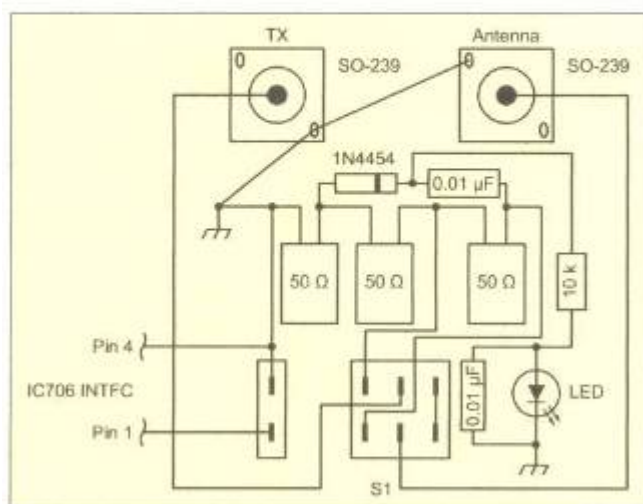


Figure 2—The Tenna-Tune wiring diagram drawn as if the box were folded flat.

Rather than purchase a commercial tuning device, I decided to build a simple, effective and inexpensive tuning indicator to help me tune the antenna remotely.

I normally operate mobile with either an SGC-2020 or an IC-706MKIIG, so my circuit is built to key my IC-706MKIIG in its 10-W tune mode.

The Tenna-Tune

The circuit is shown in Figures 1 and 2. The parts list is in Table 1. The circuit is simply a resistive 50 Ω bridge coupled with an IC-706MKIIG "tune" interface.

The bridge is the same circuit I used in an absorptive SWR indicator for the MFJ-902.¹

The advantages of the resistive bridge are that it is simple, and it protects your radio during high-SWR conditions. (The worst-case SWR presented to the radio should be only 2:1.) The disadvantages are that two of three resistors must dissipate up to 100% of the tune-up power, and it can be difficult to find the suitable resistors.

This circuit is based on three Caddock 50-Ω 15-W power resistors in TO-126 packages (Mouser #684-MP915-50 at \$2.78 each). These are excellent, noninductive power resistors. (If you want more power dissipation, a 30 W, TO-220 version is available—Mouser #684-MP930-50 at \$3.58 each.) The 15 W resistors are fine for short periods of up to 25 W, if they have appropriate heat sinks.

The Interface

The IC-706 tune interface is very simple. A 10 kΩ resistor "fools" the radio into "thinking" that a tuner is connected, so the radio is keyed in the 10-W CW mode whenever pin 1 of the antenna-tuner interface) is grounded by the SPST toggle switch. I mounted the 10 kΩ resistor directly on the 4-pin plug, so only two wires need connect run to the Tenna-Tune.

The most difficult assembly task is cutting a rectangular hole for the DPDT slide switch. You may want to use a toggle switch (round-hole mount) to make things easier—I prefer

¹P. Salas, AD5X, "An SWR Indicator for the MFJ-902 Antenna Tuner," *QST*, Oct 2004, pp 58-60.

Table 1
Tenna-Tune Parts

Qty	Description (Source)
3	50 Ω 15 W resistor (Mouser 684-MP915-50)
1	DPDT slide switch (Mouser 611-S602031SS03Q)
1	SPST toggle switch (Mouser 1055-TA1120)
1	Mini-box, 2.25×1.5×1.38 inches (Mouser 537-M00-P)
2	0.01 μF, 500 V capacitor (Mouser 75-5HKSS10)
2	10 kΩ resistor (RadioShack 271-1335)
1	6000 mcd red LED (All Electronics LED-94)
1	Terminal strip (RadioShack #274-688)*
1	Heat-sink grease (RadioShack #276-1372)
3	#2 screws (RadioShack #64-3010)
3	#2 nuts (RadioShack 64-3017)
1	4-pin Molex plug (RadioShack 274-224)
2	SO-239 connectors (All Electronics SO-239)
1	2-piece LED clip (All Electronics HLED-4)*

*Optional—see text.

Bob Schetgen, KU7G ♦ Senior Assistant Technical Editor ♦ h&k@arrl.org



Figure 3—An Interior view of the Tenna Tune.



Figure 5—The Tenna Tune back panel.

the look of the slide switch.

I built everything into the tiny aluminum box in the parts list (see Figure 3). If yours is painted, scrape the paint away where the connectors and power resistors touch the box. (Use heat-sink grease under the power resistors.)

I chose a 6000 med ultra-bright red LED. This LED requires minimal current to give a good SWR indication. It's at the upper-right corner (see Figure 4). The LED clip in the parts list requires a $\frac{3}{4}$ inch hole. You could drill a $\frac{3}{16}$ -inch-diameter hole and hold the LED in place with some hot glue if you prefer. The two SO-239 connectors just fit on the back panel as you can see in Figure 5.

The wiring diagram is shown in Figure 2. This figure is drawn as if the aluminum box were laid out flat. Wiring should be as direct as possible, but it is not shown that way for clarity. While I did use a terminal strip to mount some of the parts (see the parts list), this is probably not necessary. There are enough stiff leads on the 50 Ω resistors, SO-239s and the slide switch to support the few parts required. I also nibbled a little aluminum from the corner of the aluminum box cover so that the IC-706 interface cable can easily exit the box. Figure 3 gives you an idea of what my final wired unit looks like. All labeling "black on clear" tape from a Casio label maker. I also used stick-on rubber feet on the bottom of the unit. Figure 6 shows the Tenna-Tune mounted with my SG-2020 in the car.

Operation

I start with the antenna in its minimum-length position.



Figure 4—The Tenna Tune front panel.



Figure 6—The Tenna Tune installed with the author's SGC-2020.

which resonates with the fully extended 10 foot MFJ whip just above the 17 meter band. I always return the antenna to this minimum length position when I'm through operating so the antenna takes up as little room as possible in my trunk when I remove it from the quick-disconnect mount.

To tune the antenna, I push the slide-switch on the Tenna-Tune to TUNE, flip the IC-706 toggle switch to TUNE (when using the IC-706MKIIG), and then run the antenna motor up until the SWR LED dims noticeably or, preferably, goes out. I then turn off the IC-706 TUNE toggle switch, flip the slide switch to XMT, and I'm ready to go. This entire process is very easy, and takes very little time. I've had no problem with warming of the Tenna-Tune case during the time it takes me to tune the antenna. Obviously, the Tenna-Tune will work with all screwdriver antennas and other brands of radios. Just limit your tune-up power to no more than about 25 W. A good SWR indication occurs with 2-5 W of power.

This simple unit permits rapid tuning of screwdriver antennas. For IC-706 owners, it also sets the radio to the 10 W tune mode. While this unit does not provide automatic operation, it is easy to use and inexpensive, and it protects the radio during the tuning procedure.

If you have a screwdriver antenna and don't yet have one of those automatic tuning interfaces, give the Tenna-Tune a try!—Phil Salas, AD5X, 1517 Creekside Dr, Richardson, TX 75081-2913; ad5x@arri.net

Hints and Kinks items have not been tested by QST or the ARRL unless otherwise stated. Although we can't guarantee that a given hint will work for your situation, we make every effort to screen out harmful information. Send technical questions directly to the hint's author.

QST invites you to share your hints with fellow hams. Send them to "Attn: Hints and Kinks" at ARRL Headquarters, 225 Main St, Newington, CT 06111, or via e-mail to h&k@arri.org. Please include your name, call sign, complete mailing address, daytime telephone number and e-mail address on all correspondence. Whether praising or criticizing an item, please send the author(s) a copy of your comments. **QST-**

The New Foundation Licence- Your Entry into Amateur Radio

What is the foundation Licence all about?

The hobby of Amateur Radio has a long and proud tradition. The very first radio amateurs were true pioneers of radio technology. Amateurs 'invented' and refined much of the early radio technology and were the first to transmit music, radio plays, and information to the handful of people who had the new fangled radio receivers.

During the war years amateur radio communication was silenced, but radio amateurs enlisted as highly trained and technically competent radio operators in all theatres of war.

After World War II the hobby of amateur radio flourished. Radio clubs sprang up in schools all over the world and kids went home each night to build some new contraption, or have a chat with someone over the wireless. These young people became the mainstay of the technical professions and developed much of the modern technology we use today.

Times change, and Australia is now faced with a serious shortage of people with technical skills. Our country needs more bright young people to become technicians, scientists and engineers, instead of lawyers, money managers and mobile phone salesmen - we already have plenty of them!

The new entry level Foundation Licence provides a great opportunity for young people to foster an interest in communications technology and perhaps lead on to a rewarding career in science, electronics, and communications.

But most importantly amateur radio provides an opportunity to communicate with people. Outback travellers, sailors, retirees, or anyone with a little time to spare and a curious mind will find amateur radio very rewarding. The new Foundation Licence makes an amateur radio Licence very achievable with a just few hours study.

What do I need to know to get a licence?

The emphasis is on candidates having the knowledge of skills to demonstrate a practical ability to put together an amateur radio from commercial equipment and operate it without causing interference to other users and have the knowledge to be a competent radio operator.

You will also need to be aware of how amateur radio relates to other users of the radio spectrum, your licence conditions, technical basics of electricity and electronics, transmitters, receivers, feedlines and antennas, propagation, electromagnetic compatibility (EMC), electromagnetic radiation (EMR).

What bands can I operate on and what are the modes I can use?

The foundation licence operator can operate in the bands listed below using the modes list in the right hand column. The foundation licence operator can only use commercially manufactured equipment.

Frequency band	Permitted emission modes
3.500 MHz-3.700 MHz	all bands
7.000 MHz-7.300 MHz	
21.000 MHz-21.450 MHz	Amplitude Modulation (AM)
	Single Side Band (SSB)
	Hand Keyed Morse Code
28.000 MHz-29.700 MHz	
144.000 MHz-148.000 MHz	
430.000 MHz-450.000 MHz	
	Amplitude Modulation (AM)
	Single Side Band (SSB)
	Frequency Modulation (FM)
	Hand Keyed Morse Code

What distance will I be able to work on these bands?

3.5MHz (80 metres) up to 150KM during the day and up to 3000KM at night.
7MHz (40 metres) up to 1000KM during the day and during good conditions world wide at night.
21 MHz (15 metres) World wide mostly during the day.
28 MHz (10 metres) World wide during periods of high sunspot activity and up to 3000km in summer.
144MHz (2 metres) local coverage and world wide via IPLP and Echo Link.
432MHz (70cm) local coverage and world wide via IPLP and Echo Link.

Is there a book with all the information I need to know to get a licence?

The WIA has produced a book called the Foundation Licence Manual. It is a full colour manual consisting of 95 pages of relevant information for those studying, or those who would just like a reference book for Foundation Licence Operators.

The manual contains the all relevant information you will need to know to successfully complete a training course to obtain a foundation licence. It also contains a wealth of information a Foundation Licence operator will need. Items like Band Plans, Electrical Safety information, operating procedures such as the Q code, how to contact you local radio club, the WIA and much more.

Where do I get this book and what does it cost?

Budding candidates can obtain the Foundation Licence Handbook from several sources. It can be purchased via the WIA website, from the WIA office in Melbourne, via many radio clubs throughout Australia, from most amateur radio equipment suppliers and ultimately newsagents.

The recommended retail price for the manual is \$16.50 plus postage.

The booklet will not be available till mid November, 2005

What study do I need to do to be ready to sit for an assessment?

The new licence structure introduces a practical assessment that is common to the three grades of licence. This means that once you have been declared competent by an assessor for the practical assessment as part of the qualification in receiving an amateur licence, that competency is transferable should you upgrade your licence. An exemption is provided for Novice and Novice-Limited licensees who exist prior to the implementation date of the new structure.

Where can I go to attend a course?

The radio clubs will run the foundation Licence training courses. The clubs are the ideal place to learn all about amateur radio. You can meet other hams, attend interesting lectures, and find out lots of information. If you decide to take up amateur radio as a hobby you will soon learn there are hundreds of different facets to the hobby.

The WIA foundation licence webpages will list all the clubs that are offering training and assessment. If you have trouble finding a club then send us an email to foundation@wia.org.au and we will assist you.

How long does a training course and assessment take?

The standard time for training is around 12 hours, some clubs will conduct training over several nights and some over a weekend. The practical and 25 question multiple choice written assessment takes around 1 hour.

How do I find my nearest club?

A full list of all the radio clubs and their contact details can be found on the WIA webpage, click on the clubs tab on the top right hand side.

How much will it cost me to attend a training course?

Any charges associated with foundation licence training are up to the radio clubs conducting the training. You will need to check with your local club to find out what their charges are.

How much does an assessment cost?

The WIA charge for a foundation licence assessment is \$25.00

How much does the foundation licence cost?

The foundation licence is issued by ACMA and the licence cost is currently \$58.00 per year.

What if the club is a long way from my location?

The WIA has made provision to conduct remote assessments for those people who live a long distance from a radio club or an assessor. A specially trained assessor will be able to conduct the assessment (via the phone) the candidate will need to be in the presence of a person, such as a local policeman or school headmaster. If you are one of these people and you would like more information you should contact the WIA

What service does the WIA provide?

The WIA is the peak body representing amateur radio to ACMA, the government instrumentality who administers the radio spectrum, it also represents Australian amateurs internationally. The WIA also produces a monthly magazine set to members, weekly broadcasts, provides a bookshop with a discount for members, works closely with the 100 affiliated radio clubs, provides the amateur examination service and helps members with the many questions and information they need to make the hobby more enjoyable.

Where can I find more information?

The Internet is a great source of information on amateur radio, the WIA website has a lot of information including links to club websites and a link to the WIA broadcast pages. You can download last weeks or up to two year of broadcast and listen to them on MP3. The WIA website is www.wia.org.au Other sites are the American Radio Relay League at <http://www.arrl.org/index.php3> the Radio Society of Great Britain at <http://www.rsgb.org.uk/contents.htm> Radio Amateurs of Canada at <http://www.rac.ca/> If you search the web you will find thousands of sites world wide that have been set up by radio clubs and individual amateurs, after all there are around three million of us.

If I have other questions whom can I ask?

The WIA does not have the resources to answer a large number of telephone enquiries all questions should be directed to your nearest club as listed in the club section of the WIA website or e-mail us with your question at foundation@wia.org.au

Ted Thrift VK2ARA
> one of your WIA Directors
> 02 42729 521
> tthrift@iprimus.com.au

Changes to Novice, Intermediate, Restricted and Unrestricted Licences Call signs

Advanced Licence

- Replaces the Limited, Restricted and Unrestricted Licence
- Call signs are VK\$Aa, VK\$Aaa, VK\$Baa, VK\$Caa, VK\$Daa, VK\$Eaa, VK\$Faa, VK\$Gaa, VK\$Iaa, VK\$Jaa, VK\$Kaa, VK\$Saa, VK\$Taa, VK\$Uaa, VK\$Waa, VK\$Xaa, VK\$Yaa, VK\$Zaa, VK\$RAN, VK\$TTY, VK2RAS, VK\$WIA-WIZ (WIA), VK\$GGZ-GGZ (Guides Aust), VK\$SAA-SDZ (Scouts Assoc.), VK7OTC, VK\$IYA - IYZ (International years)

Standard Licence

- Replaces Limited Novice and Novice Licence
- VK\$Haa, VK\$Laa, VK\$Maa, VK\$Naa, VK\$Paa, VK\$Vaa

Foundation Licence

- New category of licence
- VK\$Faaa

	Foundation	Standard	Advanced
Qualifications: regulations	Regulations in limited detail: <ul style="list-style-type: none"> • nature of amateur radio • call signs & identification • no codes, broadcasting, music • subject to ITU Radio Regulations • permitted frequencies, modes & power • operation of transmitters and receivers • amateur operating procedures 	Full regulations as required at present, plus: <ul style="list-style-type: none"> • CEPT compatibility rules • EMR requirements 	Full regulations as required at present, plus: <ul style="list-style-type: none"> • CEPT compatibility rules • EMR requirements • advanced interference legislation
Qualifications: theory	Derived from UK foundation licence and CQVK discovery licence proposals, including: <ul style="list-style-type: none"> • electronic & spectrum units • electronic laws & equations • spectrum principles • transceiver block diagrams • antennas • safety 	Basic theory, perhaps tending to lower than the current novice standard, similar to UK intermediate licence. <ul style="list-style-type: none"> Items to be removed from syllabus: <ul style="list-style-type: none"> • vacuum tubes • advanced modes of transmission & reception Assessment standards for other items to be redefined. Safety to include electrical & RF safety, including EMR. 	Unrestricted theory as at present with some additions: <ul style="list-style-type: none"> • interference location and resolution • EMR assessment of sites • antenna gain & radiation pattern calculations Safety to include electrical and RF safety, including EMR.
Assessment	Non-compulsory training course. Written examination or continuous assessment by accredited institution. Practical training/assessment of operating procedures and operation of equipment required.	Non-compulsory training course. To include practical assessment e.g. assemble and operate a station from supplied transceiver, antenna tuner, power supply, etc. Written examination or continuous assessment by accredited institution.	Non-compulsory training course. To include some form of practical assessment, e.g. construction of a measuring instrument or antenna tuner, or teaching classes for lower levels. Written examination or continuous assessment by accredited institution.
Bands	3.5—3.7 MHz 7.0—7.3 MHz 21.0—21.45 MHz 28.0—29.7 MHz 144—148 MHz 430—450 MHz. Maximum occupied bandwidth: 8 kHz below 28 MHz, 16 kHz from 28 to 148 MHz, within band edges above 148 MHz.	As for foundation, plus 14,000-14,350 MHz 52,000-54,000 MHz 1,240-1,300 GHz 2,400-2,450 GHz 5,650-5,850 GHz Maximum occupied bandwidth: 8 kHz below 28 MHz, 16 kHz from 28 to 148 MHz, within band edges above 148 MHz.	All bands as currently available. Maximum occupied bandwidth: 8 kHz below 28 MHz, 16 kHz from 28 to 148 MHz, within band edges above 148 MHz.
Permitted power	10 W PEP for all permitted modes	100 W PEP for all permitted modes	400 W PEP, all modes.
Modes	Voice or morse code modulation only.	As in current Amateur. Determination for novice.	As in current Amateur. Determination for unrestricted.
Additional notes	Only unmodified transmitting equipment of commercial manufacture is permitted. Antenna experimentation is permitted.	May construct any parts of the station.	Access to two-letter call signs if available.
Translation of present licensing options	New level	Novice Novice limited	Unrestricted Intermediate Limited

Auction Night 19th November 2005

IARS Auction rules 8th November 2005:

- Auction will be conducted by VK2XQX Simon Ferrie.
- All items purchased must be paid for at the fall of the hammer in cash.
- Items will go to the highest bidder on the night.
- Please no junk. If you bring it, and it doesn't get sold, **you** take it home. Anything found left at the end of the night **will** be disposed of, or become club property as seen appropriate. Please don't complain you didn't know, after it is thrown into the Cleanaway bin☺
- **All** goods for auction to be booked in by 7.15pm, as the meeting will begin at 7.30pm sharp. Only large items can have a reserve i.e.: items over about \$100 or those from a deceased estate. The reserve must be advised prior to the auction so we can identify them with a label on the goods. Rest assured Simon knows what he is doing and he knows the rough value of all goods.
- 10% of all sales to go to the IARS to help keep our club going, unless kindly donated to the club which will then attract 100% of the takings. John 2KEJ will organize settling this after the auction has closed and things have settled down. It does take time to work the totals out.
- Status of equipment to be the seller's responsibility. If it doesn't work make it known as **any argument's after the sale will be between yourself and the buyer**, it has nothing to do with the IARS.
- All transmitting equipment to only be sold to those known to, or can prove that they have an amateur license, or they can convince us they are studying for it and their license issue, is inevitable. This of course does not apply to non transmitting items such as cable, components, accessories, receivers etc etc.
- Remember this is a fun night and we all should get a bargain. Let's finish the night off with a well deserved cuppa and rag chew.

Tony Stone
VK2TS
President



IARS Christmas Raffle

Tickets \$1 each or 3 for \$2.00
ON SALE NOW!

Help your club keep financial and you on the air

All members are asked to contribute non perishable goods

Please ask the fundraising committee for a book of tickets to sell to your family, friends and workmates.

It will be drawn at the December Meeting.

RECOGNIZING A STROKE

A true story:

Susie stumbled and fell. Her friend, Sherry, saw this happen. Being very concerned, she had the insight to ask Susie the 3 questions below. Susie failed all three test-questions, so 911 were called. Even though

She had normal blood pressure readings and did not appear to be suffering a stroke (she could converse to some extent with the Paramedics) they took her to the hospital right away. Susie suffered brain damage after a massive stroke, but is recouping at an incredible pace.

So simple - this literally saved Susie's life - Some angel had previously sent this advice to Suzie's friend and she followed it exactly.

Read and Learn the 3 steps!

A stroke occurs when oxygen fails to reach some part of the brain. Sometimes symptoms of a stroke are difficult to identify. Unfortunately, the lack of awareness spells disaster. The stroke victim will (- WILL! -) suffer brain damage if people nearby fail to recognize the symptoms of a stroke, and take action. Now doctors say a bystander can recognize a stroke by asking the victim three simple questions:

*Ask the individual to SMILE.

*Ask him or her to RAISE BOTH ARMS.

*Ask the person to SPEAK A SIMPLE SENTENCE coherently (e.g. "It is sunny out today").

If he or she has trouble with ANY of these tasks, call 911 immediately and describe the symptoms to the dispatcher.

After discovering that a group of non-medical volunteers could identify facial weakness / arm weakness / and speech problems, researchers now urge the general public to learn the three questions.

They presented their conclusions at the American Stroke Association's annual meeting last February.

Widespread use of this test could result in prompt diagnosis and treatment of the stroke and prevent brain damage.

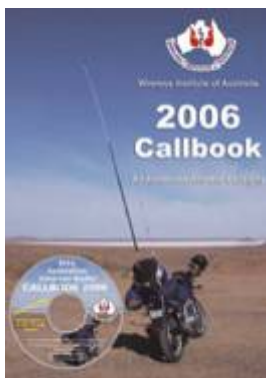
A cardiologist says that if everyone who gets this email sends it to another 10 people, you can bet that at least one life will be saved!

BE A FRIEND, AND SHARE THIS ARTICLE WITH AS MANY FRIENDS AS POSSIBLE.

It could save their lives. A stroke changes the lives of all family and friends around the victim, for years afterwards....

- * Don't wish it were easier, know you are capable.
- * Don't wish for fewer problems, know you have the skills.
- * Don't wish for less challenge, know you have wisdom.
- * Don't wish for less pain, BE MORE LOVING.

(Thanks Ted VK2ARA for sending this for inclusion in the Propagator.)



The 2006 WIA Callbook will soon be available.

If you are interested in purchasing a copy, please let the Secretary know so they can be ordered.

For our members to gain a saving on postage etc, there is a minimum number order required.

The cost will be approximately \$25.00 per copy if we order in bulk.



From the Secretary's Desk

October was definitely a month for things new – the introduction of the Foundation Licence and the birth of a new grandson for John and my self. Both came with the usual delay and hiccups.

The Foundation Licence finally approved by the ACMA on the 19th October came into effect. I have heard that there are over 400 people wanting to sit for this new licence. All the relevant changes to existing licences are set out in this issue and the ACMA will be sending out to current licence holder's new licences that reflect the new changes. To view the full changes and how they will affect you, see acma.gov.au webpage. It is also interesting to note that a woman was the first to gain a Foundation Licence, VK4FRST to Amanda Gray from Brisbane. Watch out – there will be more females on the air.

I also came across this item in the Clitheroe News (UK), he must be an exceptional 6 year old to have also passed 5 words per minute in Morse.

Junior broadcaster takes to the air

IS Pendle Primary School pupil Morgan Roe (six) the youngest amateur radio licence holder in the country? (A140705/2)

A SIX-YEAR-OLD Clitheroe boy is believed to be the youngest in the country to be awarded an amateur radio licence. Pendle Primary School pupil Morgan Roe has become the envy of his friends after picking up the high-ranked title.

For the past eight weeks, Morgan, of Bawdlands, has been attending Burnley Radio Club to obtain the foundation licence. In order to qualify, he had to sit a 25 multiple-choice examination, based on what he had learned on the course. The test included questions on maths, English, science and electronics. In addition, he had to pass radio and electronics theory and the Morse Code exam at five words-per-minute.

Morgan's parents have always encouraged his love of radio and are proud of his latest achievement. His father, Lee (40), who runs Phoneworks, in Eshton Terrace, has played a big part in helping his son achieve the award. He said: "Getting involved in radio has expanded Morgan's vocabulary. He has been able to communicate to people around the world and make new friends. We are extremely pleased with him."

Mr Martin Durkin, foundation course instructor at Burnley Radio Club, said he was surprised at the knowledge and expertise demonstrated by young Morgan.

He added: "He has done extremely well and I believe he is the youngest in the country to achieve the foundation licence, although this has yet to be confirmed."

The licence has enabled him to go "on the air", thanks to an amateur radio station installed in his home and communicate with people around the world on a fairly low level of power.

Looking ahead, Morgan will be following in the footsteps of his father and working towards his intermediate licence, with the prospect of eventually going for the advanced licence.

Our newest grandson, Jacob, is also a surprise. After 5 ultrasounds said he was a she, a complete layette of pink from grandma, a frilly pink nursery from mum and dad, and numerous discussions regarding a name, our newest was nameless for some time until a boys name was finally decided on, Alana was just not suitable!

October has really taught me to be flexible and to go with the flow. Every day, we should learn something new and do something new, it keeps us young and expands our minds and our horizons. Without change and interruptions our lives would be dull to the extreme, interest is generated from these expected and unexpected changes.

The same can be said for our hobby, make a point of making a new contact everyday, either on the IRLP or hear an unusual call sign and speak to them. Interest and change will make our hobby grow, not stagnate and become boring and dull. Think about teaching your children or grandchildren or your partner, how to use a radio, and encourage them to gain the Foundation Licence, sharing your hobby with others will bring unexpected delights.

"God grant me the knowledge to change those things I can, and to accept those things that I can't", an old saying that is still very appropriate in our lives today in the 21st Century.

Regards to all
Maeva Bennett
Secretary

Some light Relief – for those who are stressed out.

Subject: Coffee for my friend

The Mayonnaise Jar and 2 Cups of Coffee

When things in your life seem almost too much to handle, when 24 hours in a day are not enough, remember the mayonnaise jar and the 2 cups of coffee.

A professor stood before his philosophy class and had some items in front of him. When the class began, he wordlessly picked up a very large and empty mayonnaise jar and proceeded to fill it with golf balls. He then asked the students if the jar was full. They agreed that it was.

The professor then picked up a box of pebbles and poured them into the jar. He shook the jar lightly. The pebbles rolled into the open areas between the golf balls. He then asked the students again if the jar was full. They agreed it was.

The professor next picked up a box of sand and poured it into the jar. Of course, the sand filled up everything else. He asked once more if the jar was full. The students responded with a unanimous "yes."

The professor then produced two cups of coffee from under the table and poured the entire contents into the jar effectively filling the empty space between the sand. The students laughed.

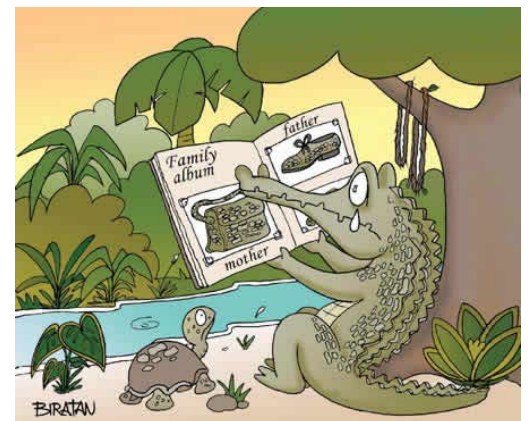
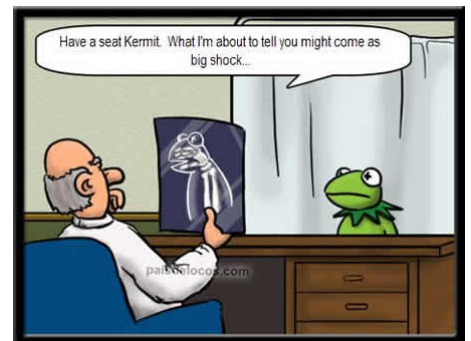
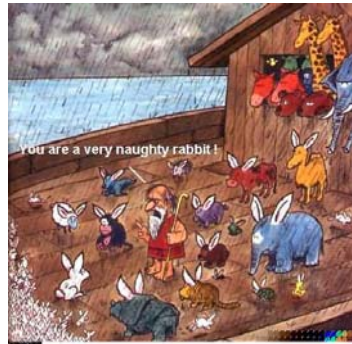
"Now," said the professor as the laughter subsided, "I want you to recognise that this jar represents your life. The golf balls are the important things---God, your family, your children, your health, your friends and your favourite passions---and if everything else was lost and only they remained, your life would still be full.

The pebbles are the other things that matter like your job, your house and your car.

The sand is everything else---the small stuff. "If you put the sand into the jar first," he continued, "there is no room for the pebbles or the golf balls. The same goes for life. If you spend all your time and energy on the small stuff you will never have room for the things that are important to you.

"Pay attention to the things that are critical to your happiness. Play with your children. Spend time with your parents. Visit with grandparents. Take time to get medical checkups. Take your spouse out to dinner. Play another 18. There will always be time to clean the house and fix the disposal. Take care of the golf balls first---the things that really matter. Set your priorities. The rest is just sand."

One of the students raised her hand and inquired what the coffee represented. The professor smiled. "I'm glad you asked. It just goes to show you that no matter how full your life may seem, there's always room for a couple of cups of coffee with a friend."





Presidents Report for November 2005.

Hello one and all, well it's almost the end to another year and the Illawarra Amateur Radio Society is still here and healthier than ever. The repeater network is motoring along ready for the Christmas influx of visitors to the area.

What will next year bring for us all? I trust with the new foundation licensees becoming apparent in the next few months that we can all make them feel welcome and encourage some long overdue growth, to what was, until recently a declining hobby. It is imperative we all do our best to steer them down the path to good operating practices and towards further study and rising to the next class of license. I think we will all be surprised by the growth to our hobby and I wouldn't be surprised if these changes eclipse the injection of new amateurs that occurred in the 70's resulting from the CB craze.

This month meeting is the famous IARS Club auction meeting and I hope to see you all there. Thanks again to our resident auctioneer Simon VK2XQX for once again taking on the challenge this year. For those that attend I am sure you will agree he really is very good at it.

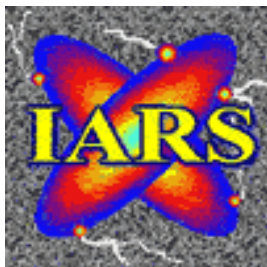
Well that enough for me I am back on some long overdue work around my home QTH which is not unfortunately amateur radio related☺

Cheers to all and I look forward to seeing you all at the next meeting and beyond as we have some big surprises in store for members this coming year.

73's
Tony Stone
VK2TS
President - IARS

***Stop The Press!!!!!!!!!!!!!!!
Club Members Special from Newtek for November
See Jack at the November Meeting or give him a call***

NEWTEK ELECTRONICS
Phone and Fax 4227 1620
RESELLER FOR
Altronics Arista Jaycar Avico
Stockists of: Alarm Accessories, UHF Antennae,
Tools, Computer Accessories, Test Equipment,
Cables, Plugs, RF Sprays and Components for the
Professional and the Amateur
Call in and see Jack at 345 Keira St., Wollongong



ILLAWARRA AMATEUR RADIO SOCIETY (INC)

Minutes of October 11, 2005 Club Meeting

Attendance: As per Attendance Book

Apologies: VK2FP
VK2HUG
VK2TS

Visitors: VK2YEA Eric

Meeting opened at 7.45 by John Bennett VK2AAL in President Tony's absence.

Minutes from September Meeting read and accepted as a true record of Meeting

A brief summary of the September Committee Meeting was read

Committee meeting held on September 21st. Insurance and affiliation decide on. Insurance to be retained via ARNSW and it was agreed to forge on with affiliation. Affiliation paperwork submitted to the WIA by Maeva VK2HUG. Simon VK2XQX was contacted and kindly agreed to be the auctioneer for next month meeting. A club laser printer was agreed to be purchased at a discounted price which has since been procured.

Business Arising

Nil

Treasurer's Report

Tres. John Lawler VK2KEJ Financial report read and accepted as true record of club finances.

Repeater Report

All seems to be working OK.

IRLP

IRLP Node 6018 is on air and available for use. Don't forget your preamble before attempting to dial your DTMF tones and the same goes when disconnecting.

General Business

Phil Greaves VK2ZZY and Total Concepts Projects of Silverwater have kindly donated a 30 inch LCD TV and DVD recorder to our Club to raffle to raise club funds.

Snowball – won by John Lawler VK2KEJ he was present

Raffle- won by Jack Decesco VK2XGD

There being no further business the meeting closed at 8.05 pm.





Guest Speaker

Jack Descesco of Newtek VK2XGD gave the members a talk regarding componentry and replacement components

November 2005

<u>Sunday</u>	<u>Monday</u>	<u>Tuesday</u>	<u>Wednesday</u>	<u>Thursday</u>	<u>Friday</u>	<u>Saturday</u>
		1	2	3	4	5
6	7	8 IARS Club Meeting Auction Night	9	10	11	12
13	14	15	16 IARS Committee Meeting	17	18	19
20	21	22	23	24	25	26
27	28	29	30			

December 2005

<u>Sunday</u>	<u>Monday</u>	<u>Tuesday</u>	<u>Wednesday</u>	<u>Thursday</u>	<u>Friday</u>	<u>Saturday</u>
				1	2	3
4	5	6	7	8	9	10
11	12	13 IARS Club Meeting Presentations Christmas Party	14	15	16	17
18	19	20	21 IARS Committee Meeting	22	23	24
25 Christmas Day 	26 Boxing Day 	27 Public Holiday 	28	29	30	31 New Years Eve 

About the Airwaves.

- 1 If you have any items you would like broadcast on Tuesday nights, please contact Geoff Howell VK2HIC either by phone on 42725134 or by email at vk2hic@nsw.chariot.net.au, or Jack Decesco VK2XGD 4227 1620 or at jack@newtec.com.au. If it interests you it will interest others, it's for the enjoyment of our members and other listeners.

I know many listen to the broadcast, please participate in the call-backs – Geoff and Jack put a lot of hard work into doing this each week, let them know their effort is appreciated.
- 2 Over the past few months, many members have changed their email addresses, as emails sent by the secretary have come back undeliverable. If you have changed your email address, could you please let the secretary know, so that our Member Registry is up to date.
- 3 Many thanks to Jack Desesco at Newtek, for his monthly specials for our members.
- 4 Don't forget to let the Secretary know how long you have held an Amateur Licence for, so you can participate in the December Meeting presentation of Certificates of Participation. The cut off date for submitting your information will be the 1st December.
- 5 By now, most members should have received a new licence certificate showing their new status as either a Standard (Novice and Limited Novice) or an Advanced (Limited, Restricted or Unrestricted) Licence holder. If you have not yet received it, contact the ACMA.
- 6 Frank Diggle and his wife are leaving for a visit and holiday with their son who has just moved to Tasmania. I don't know how much sightseeing Frank will do, as he left armed with all relevant information to study for his Standard Licence. Good luck with your studies Frank.
- 7 If you have any knowledge of competitions that involve amateur radio could you let the editor know for inclusion in the Club Calendar.

This has been confirmed by Telstra - pass it on

Just received this information from a friend so I thought I would pass this on.

DO NOT push 90# on your home phone

I got a call last night from an individual identifying himself as an AT&T Service technician who was conducting a test on our telephone lines. He stated that to complete the test I should touch nine (9), zero (0), hash (#) and then hang up. Luckily, I was suspicious and refused.

Upon contacting the telephone company, I was informed that by pushing 90#, you give the requesting individual full access to your telephone line, which allows them to place long distance telephone calls billed to your home phone number. I was further informed that this scam has been originating from many of the local gaols/prisons.

DO NOT press 90# for ANYONE.

PLEASE pass this on to your friends. If you have mailing lists and/or newsletters from organisations you are connected with, I encourage you to pass this on.



2005 Presentation Night and Christmas Party **Tuesday, 13th December 2005**

Presentation of Certificates of Participation in Amateur Radio:
to recognise the contribution of individual operators to Amateur Radio
and the Illawarra Amateur Radio Society.

Christmas Supper and Final Chin-wag for 2005

